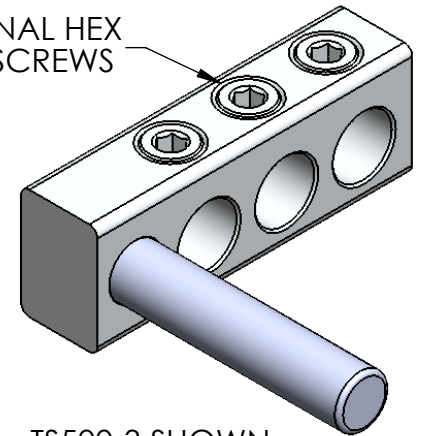
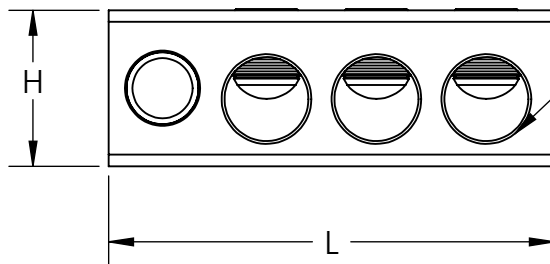


PART	WIRE RANGE	# OF PORTS	L	H	W	W/ PIN	STUD DIA.
TS1/0-2	1/0 - 14 AWG	2	2.03	.88	.63	3.00	3/8
TS1/0-4	1/0 - 14 AWG	4	2.68	.88	.88	3.00	3/8
TS250-2	250KCMIL - 10 AWG	2	2.59	1.13	.88	4.00	1/2
TS250-3	250KCMIL - 10 AWG	3	3.46	1.13	.88	4.00	1/2
TS250-4	250KCMIL - 10 AWG	4	4.32	1.13	.88	4.00	1/2
TS250-6	250KCMIL - 10 AWG	6	6.04	1.13	.88	4.00	1/2
TS250-8	250KCMIL - 10 AWG	8	7.77	1.13	.88	4.00	1/2
TS350-2	350KCMIL - 10 AWG	2	2.95	1.25	.88	4.00	5/8
TS350-2-12	350KCMIL - 10 AWG	2	2.95	1.25	.88	4.00	1/2
TS350-3	350KCMIL - 10 AWG	3	3.95	1.25	.88	4.00	5/8
TS350-4	350KCMIL - 10 AWG	4	4.95	1.25	.88	4.00	5/8
TS350-4-12	350KCMIL - 10 AWG	4	4.95	1.25	.88	4.00	1/2
TS350-6	350KCMIL - 10 AWG	6	6.95	1.25	.88	4.00	5/8
TS350-6-12	350KCMIL - 10 AWG	6	6.95	1.25	.88	4.00	1/25
TS350-8	350KCMIL - 10 AWG	8	8.95	1.25	.88	4.00	5/8
TS500-2	500KCMIL - 10 AWG	2	4.65	1.63	1.13	4.50	3/4
TS500-3	500KCMIL - 10 AWG	3	5.79	1.63	1.13	4.50	3/4
TS500-4	500KCMIL - 10 AWG	4	6.94	1.63	1.13	4.50	3/4
TS500-6	500KCMIL - 10 AWG	6	8.08	1.63	1.13	4.50	3/4
TS500-8	500KCMIL - 10 AWG	8	10.37	1.63	1.13	4.50	3/4
TS750-2	750KCMIL - 1/0	2	4.04	1.75	1.25	5.50	3/4
TS750-4	750KCMIL - 1/0	4	6.72	1.75	1.25	5.50	3/4

5/16 INTERNAL HEX PRESSURE SCREWS

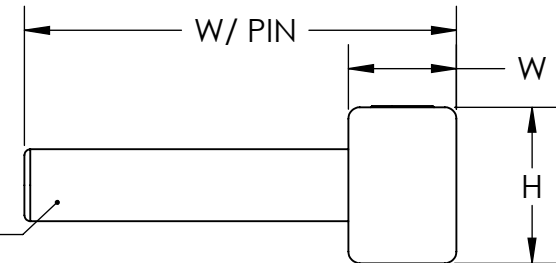


TS500-3 SHOWN



CONDUCTOR PORT


TIN PLATED COPPER STUD



CONTACT NSI FOR SALES @ 800.321.5847

NOTES:

- CONNECTOR PRE-FILLED W/ OXIDE INHIBITOR.
- CONNECTOR MEETS OR EXCEEDS ANSI C119.4 SPECIFICATIONS.

		<b>POLARIS SALES CO. INC</b>	
<small>PROPRIETARY AND CONFIDENTIAL</small>		<small>11625 PROSPEROUS DRIVE ODESSA, FL 33556</small>	
<small>THE INFORMATION CONTAINED IN THIS DRAWING IS THE SOLE PROPERTY OF POLARIS SALES CO. INC. ANY REPRODUCTION IN PART OR AS A WHOLE WITHOUT THE WRITTEN PERMISSION OF POLARIS SALES CO. INC. IS PROHIBITED.</small>		<b>TITLE:</b> <b>TRANSFORMER STUD CONNECTORS</b>	
<small>NAME</small> <small>DATE</small>		<b>DWG. NO.</b> <b>TS_-SERIES</b>	
<small>DRAWN BY</small> S.PARRY		<small>9/28/2012</small>	
<b>MATERIAL:</b> 6061-T6511 ALUMINUM		<b>SCALE:</b> 1:2	
		<b>SHEET:</b> 1 OF 1	