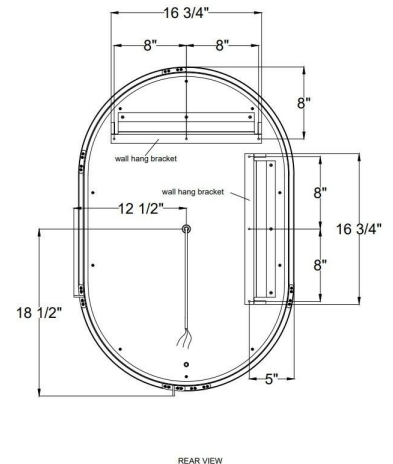
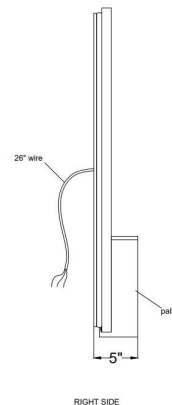
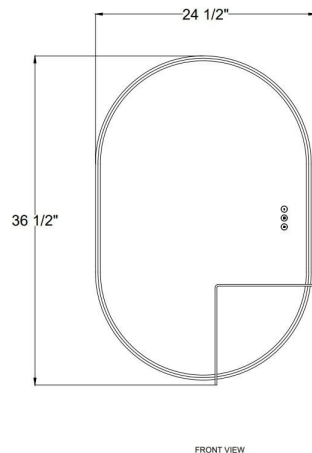


JOB NAME:

DATE:

TYPE:

COMMENTS:



**LIGHT INFORMATION**

Light Type	Integrated LED
CRI	90
Delivered Lumens	1340
Color Temperature	3000K-6400K
LED Lifespan (L70)	52000
Light Direction	Ambient
Dimming Method	Triac/Elv
Current Type	DC
Input Voltage	120
Total Wattage	70

**DIMENSIONS & WEIGHT**

Width (In)	24
Height (In)	36
Ext (In)	4.5
Weight (Lbs)	32.18

**INSTALLATION**

Mounting Type	J-Box
Rating	Damp
Hanging Support Type	Z-Bar

**PRODUCT FINISH**

Matte Black

**PRODUCT FEATURES**

Various shelf mounting positions

**CERTIFICATIONS & COMPLIANCE**

