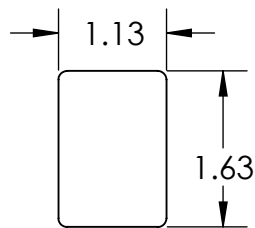
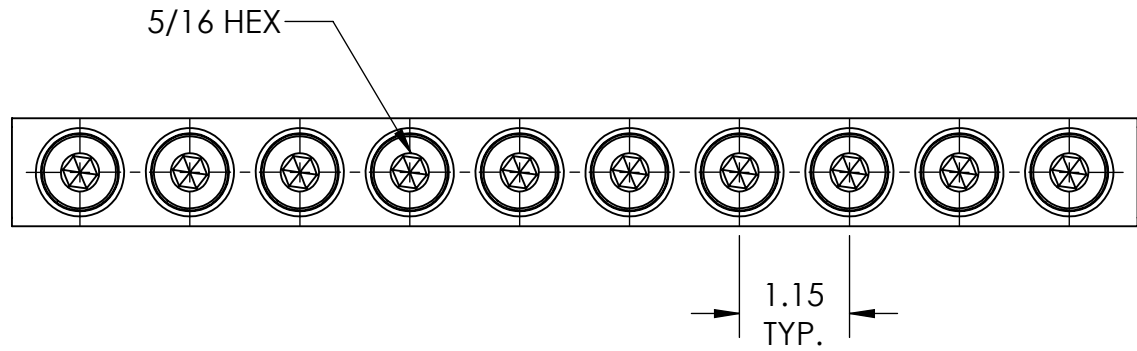
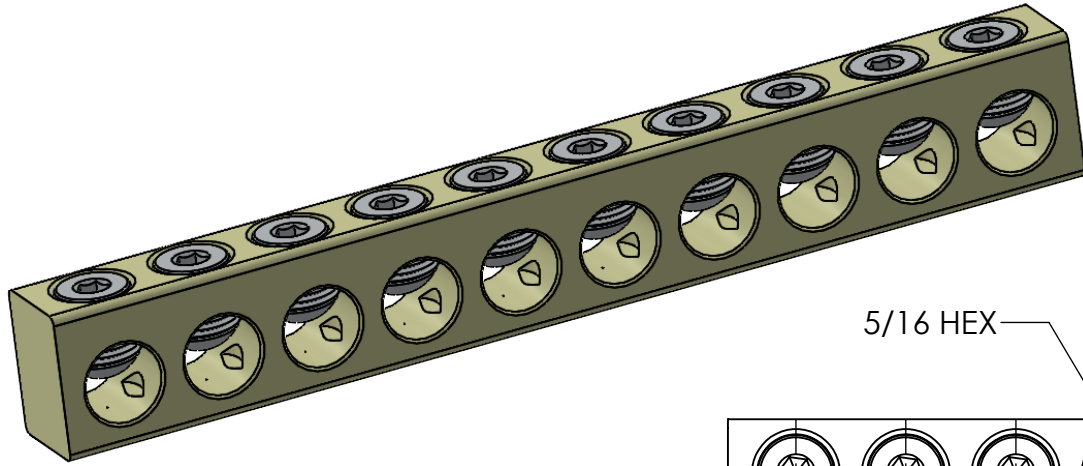
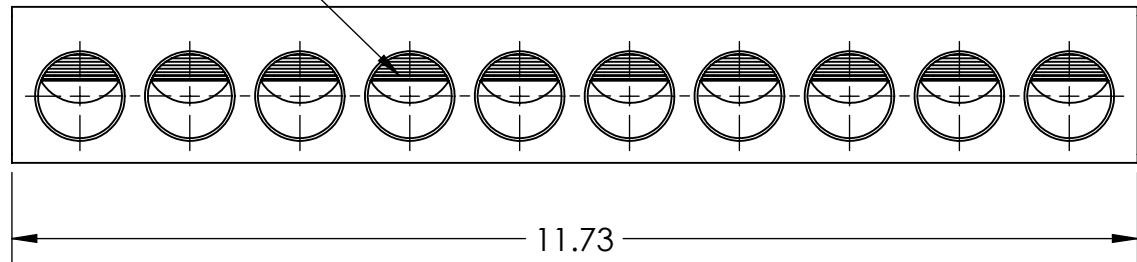


PROGRAM:	SOLIDWORKS
UPDATED:	11/19/2024
SALES REV:	A
SIZE:	A (8.5x11) (IN)



(10) 500KCMIL-6  
CONDUCTOR PORTS



### FEATURES:

1. Material: Yellow Chromated Aluminum.
2. Wire connector rated for 35Kv max.
3. Class B/C compressed, concentric, and compact conductor only.
4. Dual rated AL9CU.

