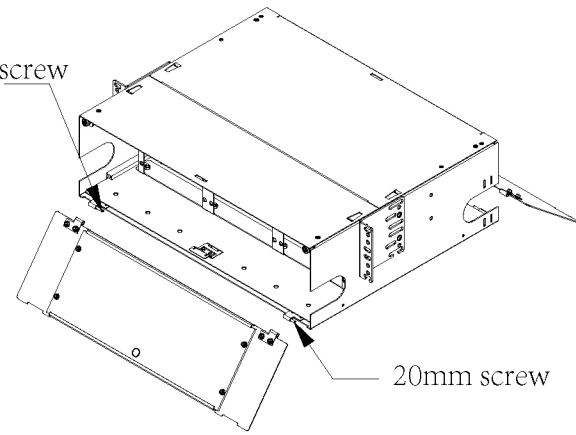
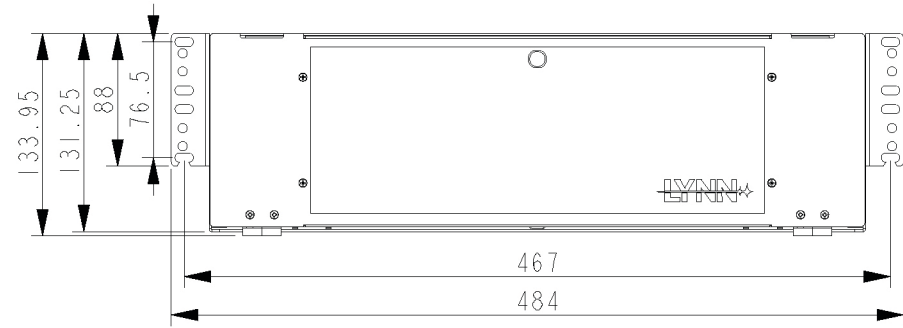


25mm screw

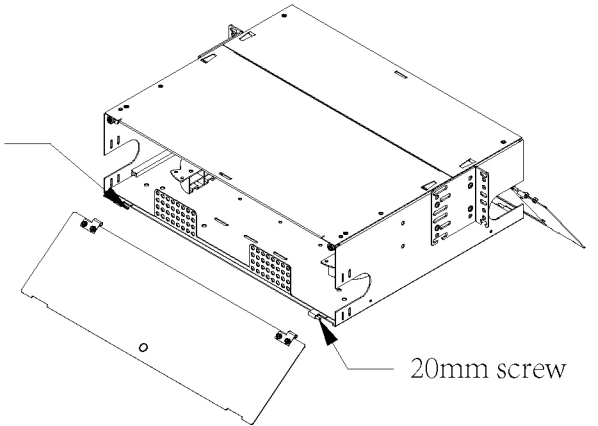


20mm screw

Rate: 1:10



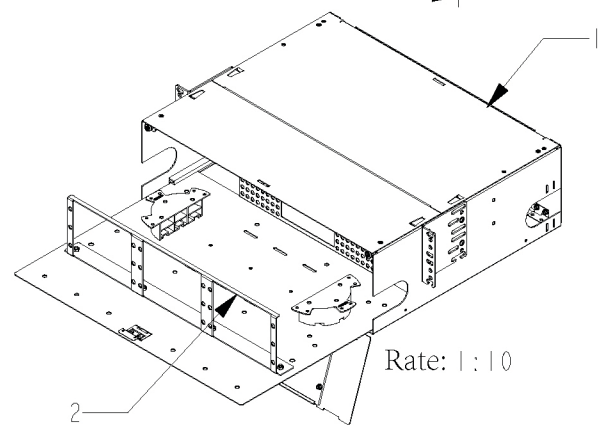
25mm screw



20mm screw

Rate: 1:10

Materials:
SPCC with black cold painting.



Rate: 1:10

REV.	ECN	DESCRIPTION	SIGN	DATE
A4				2020-11-23
A5				2021-12-1

2		FPP-09-R3-05-V2-2000	SPCC T=1.5	I	
1	FPP-09-R3-05-V2-10000	FPP-09-R3-05-V3-10000	SPCC	I	
NO.	NAME	DESCRIPTION	MATERIAL	QTY	NOTE
DRAW	TAO LUO	A/R	1:5	PRODUCTS NO.	FPP-09-R3-05-V3
UNIT	mm	CHK		PRODUCTS NAME	FPP-09-R3-05-V3
REV.	A5	APR		PART NO.	
DATE	2019-10-29	MAT'L	SPCC		
FIG NO.: FPP-09-R3-05-V3-00000					