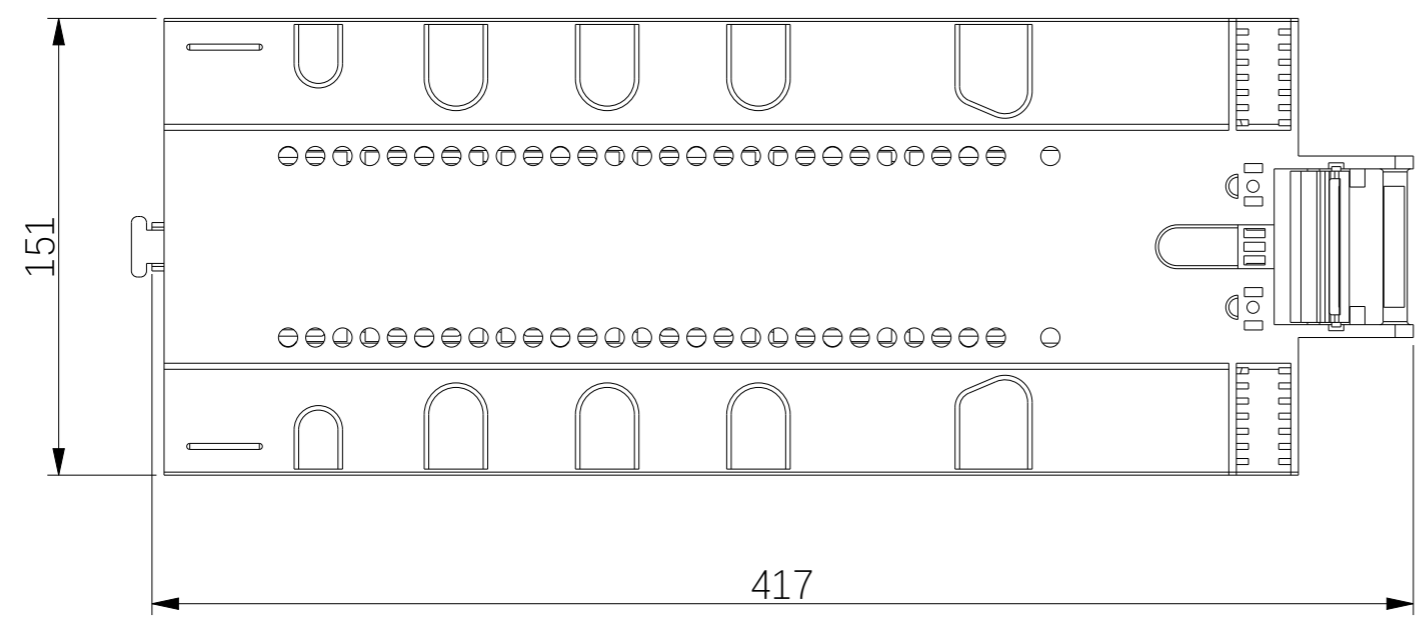
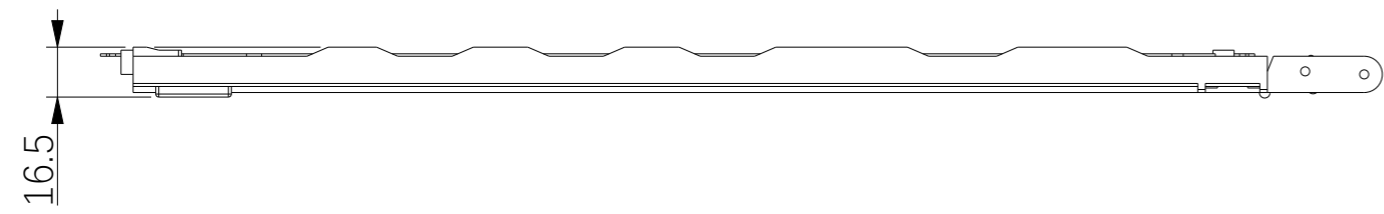
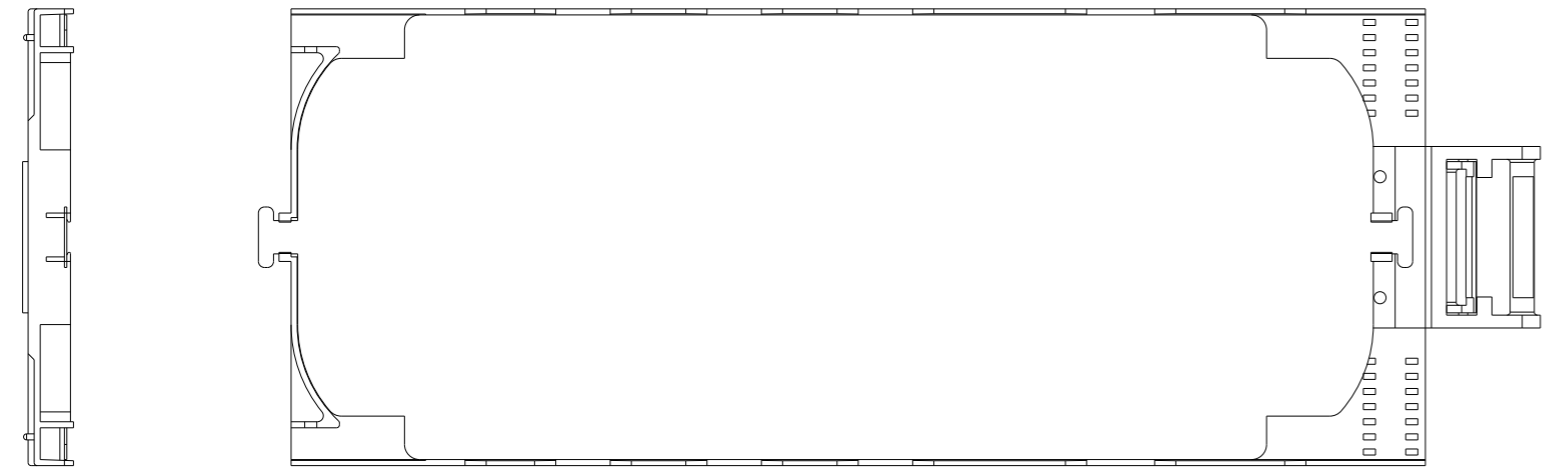
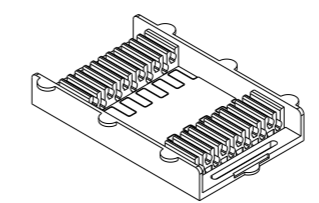
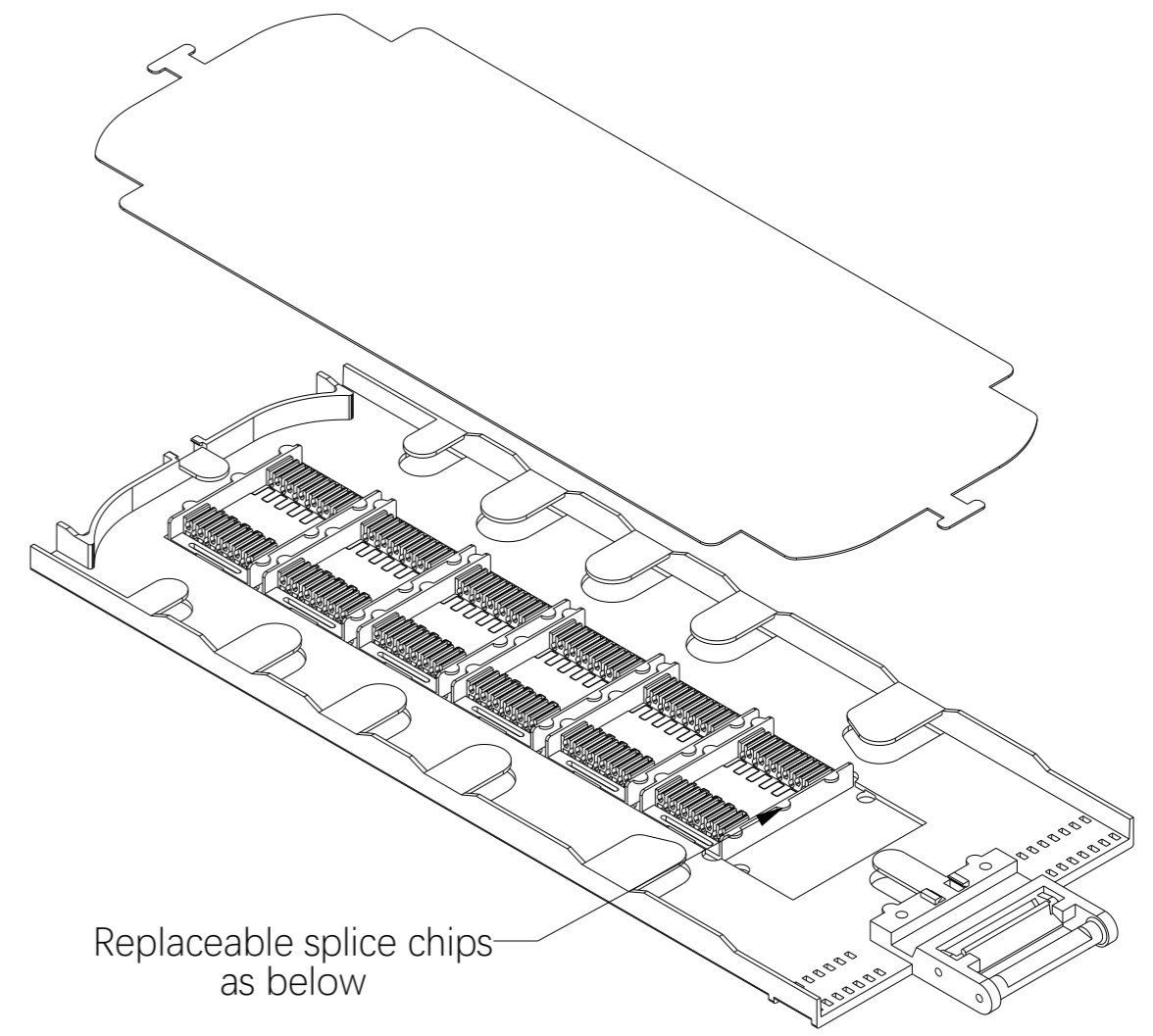


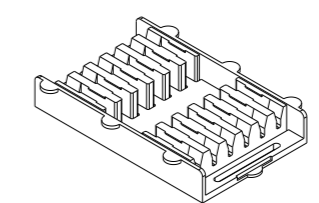
|     |         |                |           |      |
|-----|---------|----------------|-----------|------|
| REV | ECN NO. | CHANGE CONTENT | SIGNATURE | DATE |
| A1  |         | First Issued   |           |      |
|     |         |                |           |      |
|     |         |                |           |      |



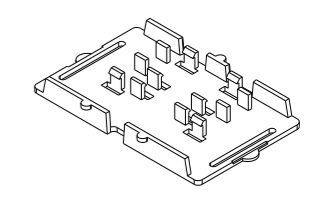
NOTE:  
 1. Material: ABS+PC;  
 2. Assembly with 6 Replaceable Splice chips.



Splice chips



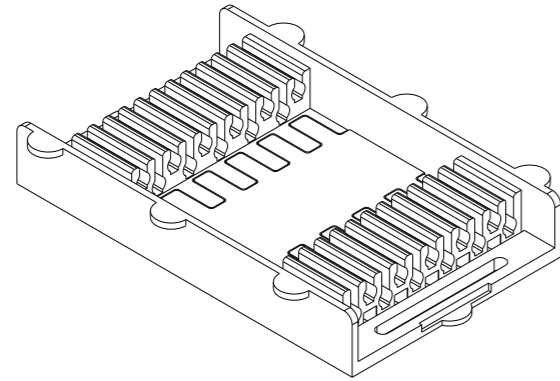
6 Mass fusion splice chips



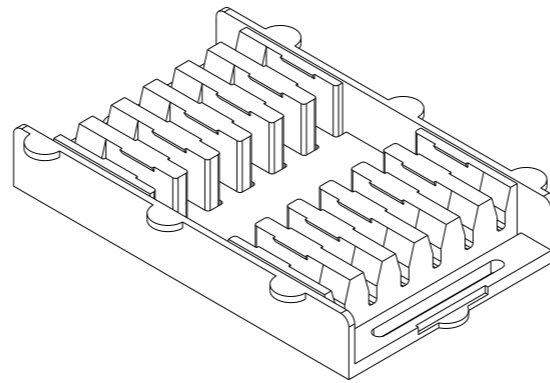
Splitter hold splice chip

|         |            |            |                    |        |              |                               |
|---------|------------|------------|--------------------|--------|--------------|-------------------------------|
|         | SIGNATURE  | DATE       | <b>LYNN</b>        |        |              |                               |
| DRAWN   | Tom H.     | 2022-09-27 | MAT'L              | ABS+PC | PRODUCT NO.  | ST-PA-72-HD                   |
| CHK'D   | Charles H. | 2022-09-27 | UNITS              | mm     | PRODUCT NAME | HyperDropCAN™ 72F Splice Tray |
| PROCESS |            | 2022-09-27 | SCALE              | 2:5    | DRAWING NO.  |                               |
| APPV'D  | Charles H. | 2022-09-27 | TYPE OF PROJECTION |        | SHEET 1 OF 1 | REV A1                        |

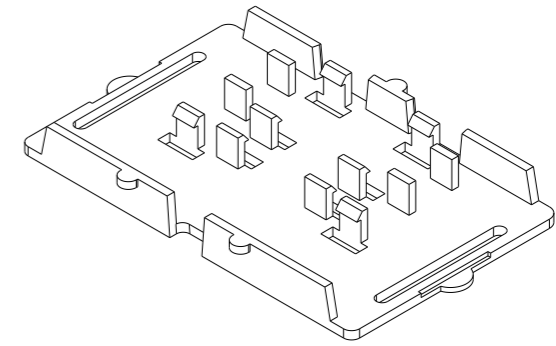
| REV | ECN NO. | CHANGE CONTENT | SIGNATURE | DATE |
|-----|---------|----------------|-----------|------|
| A1  |         | First Issued   |           |      |
|     |         |                |           |      |
|     |         |                |           |      |



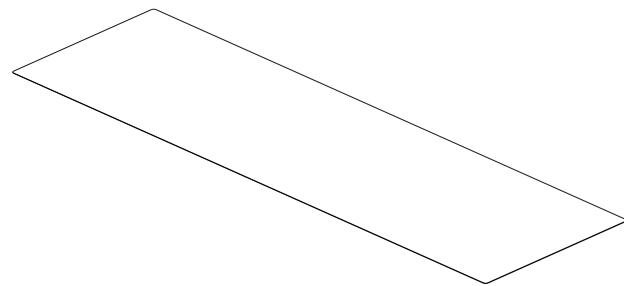
Splice Chips (62.7\*39\*10mm) x 6



Mass Fusion Splice Chips (62.7\*39\*10mm) x 6



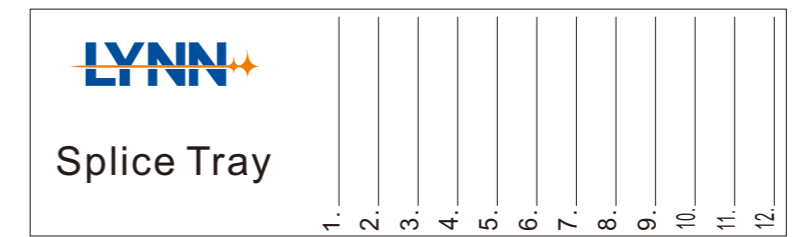
Splitter Hold Splice Chip (62.7\*39\*10mm) x 2



Velcro Cable Tie Chip 25\*300mm



Nylon Cable Tie 2.5\*150mm x 6



100mm\*30mm Color Printing Label With Logo x 6

|                   |                  |                    |             |              |              |                  |
|-------------------|------------------|--------------------|-------------|--------------|--------------|------------------|
| /                 | SIGNATURE        | DATE               | <b>LYNN</b> |              |              |                  |
|                   | DRAWN Tom H.     | 2022-09-27         | MAT'L       | /            | PRODUCT NO.  | Accessories List |
|                   | CHK'D Charles H. | 2022-09-27         | UNITS       | mm           | PRODUCT NAME | ST-PA-72-HD      |
|                   | PROCESS          | 2022-09-27         | SCALE       | 1:1          | DRAWING NO.  |                  |
| APPV'D Charles H. | 2022-09-27       | TYPE OF PROJECTION |             | SHEET 1 OF 1 | REV          | A1               |