

FEATURES:

1. Connectors are made from 6061-T6 aluminum alloy and are plated for corrosion resistance.
2. Available in one hole increments up to 14 holes.
3. Suitable for use on wire from #4 AWG to 750 MCM.

SPECIFICATIONS:

1. UL Listed 486B Wire Connector.
2. Temperature Rating/Voltage: AL9CU. Rated 2000V, 90 °C.
3. Wire Type: Dual rated for use with copper and/or aluminum cables. Not for fine-stranded, flexible wire.
4. Torque Chart: 34.

PL Series: Uninsulated Multi-Cable Connectors

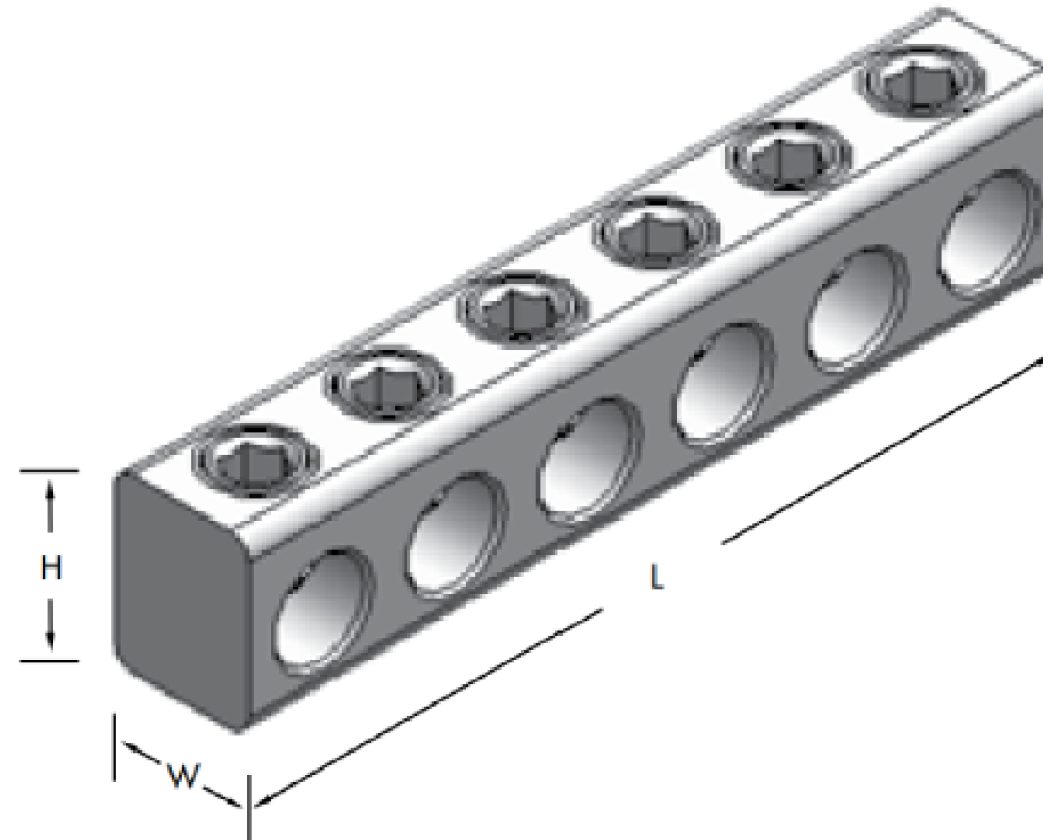


Figure varies by number of wire ports.

PART	NO. OF PORTS	WIRE RANGE	COPPER CONDUCTOR MAX. AMPS	ALUMINUM CONDUCTOR MAX. AMPS	LENGTH (L) (IN.)	WIDTH (W) (IN.)	HEIGHT (H) (IN.)	MAX. TORQUE VALUE (IN./LBS.)	HEX/WRENCH SIZE (IN.)
PL3/0-3	3	3/0-6 AWG	-	-	2.380	0.690	0.940	250	1/4
PL3/0-4	4	3/0-6 AWG	-	-	3.160	0.690	0.940	250	1/4
PL3/0-5	5	3/0-6 AWG	-	-	3.940	0.690	0.940	250	1/4
PL3/0-6	6	3/0-6 AWG	-	-	4.720	0.690	0.940	250	1/4
PL3/0-7	7	3/0-6 AWG	-	-	5.490	0.690	0.940	250	1/4
PL3/0-8	8	3/0-6 AWG	-	-	6.280	0.690	0.940	250	1/4
PL3/0-9	9	3/0-6 AWG	-	-	7.050	0.690	0.940	250	1/4
PL3/0-10	10	3/0-6 AWG	-	-	7.840	0.690	0.940	250	1/4
PL3/0-12	12	3/0-6 AWG	-	-	9.400	0.690	0.940	250	1/4
PL3/0-14	14	3/0-6 AWG	-	-	10.960	0.690	0.940	250	1/4
PL250-2	2	250 MCM-6 AWG	-	-	1.820	0.880	1.130	360	5/16
PL250-3	3	250 MCM-6 AWG	-	-	2.680	0.880	1.130	360	5/16
PL250-4*	4	250 MCM-6 AWG	527 A	410 A	3.550	0.880	1.130	360	5/16
PL250-5	5	250 MCM-6 AWG	-	-	4.410	0.880	1.130	360	5/16
PL250-6*	6	250 MCM-6 AWG	790 A	615 A	5.270	0.880	1.130	360	5/16
PL250-7	7	250 MCM-6 AWG	-	-	6.140	0.880	1.130	360	5/16
PL250-8*	8	250 MCM-6 AWG	1053 A	820 A	6.990	0.880	1.130	360	5/16