

TheNID™ with Reel (Armored) Technical Specifications

Fiber Entry Terminal Loaded with Armored Simplex Fiber

TheNID™ with Reel is a compact outdoor fiber optic network interface device designed to withstand the harsh conditions of Outside Plant. Designed for flat and round cable entry, the variable clamp entry securely holds both round and flat drop cables. The built-in reel of armored simplex fiber cable eliminates the need of field splicing with standard lengths of 50, 100, and 150 ft. The reel can be locked in place with a standard can wrench.



KEY FEATURES

- Fiber Entry Terminal (FET) made of high-impact thermoplastic material
- Preloaded with rotating slack storage reel storing 50, 100, or 150 ft of micro armored pushable fiber with bullet end
- Decreased deployment times and reduced installation costs by eliminating in-field splicing
- Cover closes securely with 3/8" hex bolt with provision for a security seal
- Up to 1-inch Conduit entry point with tie down
- Variable cable entry clamp designed for round or flat drop cable
- Electrical copper ground lug is built into the housing

HOUSING TECHNICAL SPECIFICATIONS

- **DIMENSIONS:** 261 x 222.69 x 72.97 mm (10.28 x 8.77 x 2.87 in)
- **MATERIAL:** PC and ABS
- **COLOR:** Light Gray
- **INPUT/OUTPUT PORTS:** 2 ea,
Round OD: 3mm to 16.2mm
Flat cable OD: 2mm to 8.1 x 4.5mm
- **TEMPERATURE RANGE:** -40°C to 80°C (-40°F to 176°F)
- **RELATIVE HUMIDITY:** ≤ 85%
- **ENVIRONMENTAL RATING:** GR-771
- **COMPLIANCY:** RoHS
- **COUNTRY OF ORIGIN:** China

FIBER TECHNICAL SPECIFICATIONS

- **STANDARD CABLE LENGTHS:** 50, 100, and 150 ft
- **FIBER TYPE:** 250µm colored glass (G657A2)
- **FIBER COUNT:** Simplex
- **INNER JACKET:** LSZH, 0.9 mm
- **OUTER JACKET:** PBT UV resistant, black, OD 3 mm
- **FLEXIBLE ARMORED TUBE:** SUS 200CU, OD 1.45 mm
- **STRENGTH MEMBER:** Aramid yarn, water swellable yarn, steel wire
- **CONNECTOR TYPE:** SC Pushable Assembly, Standard SC, and Blunt
- **POLISH TYPE:** APC

INCLUDED ACCESSORIES

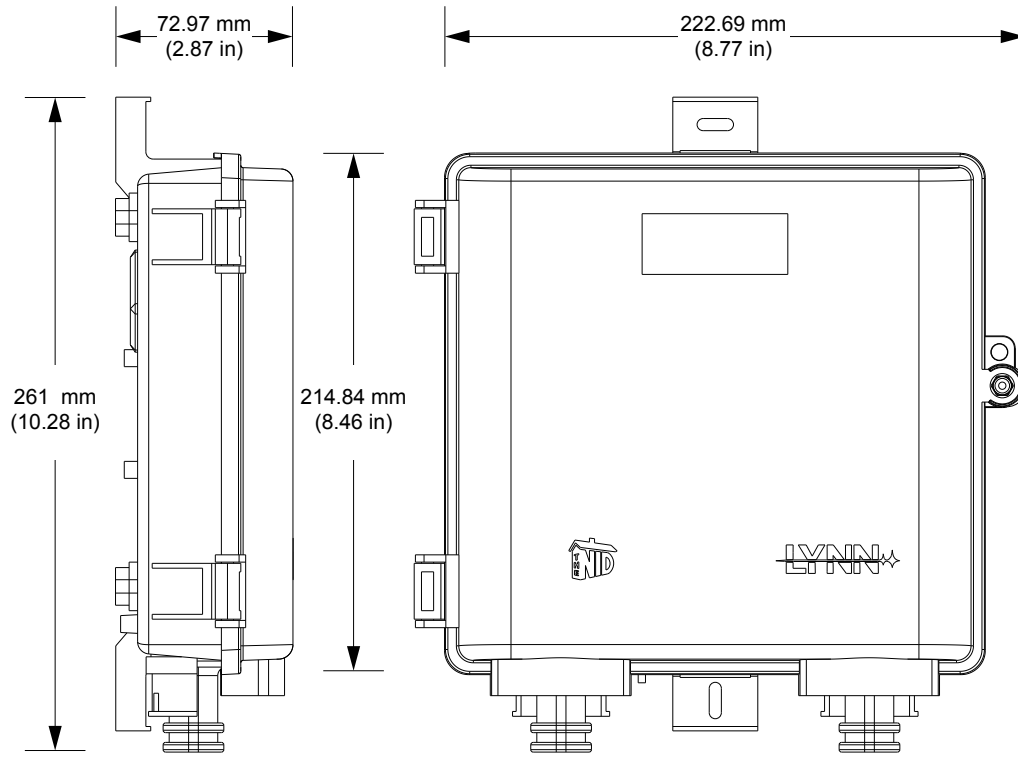
- SC/APC Adapter
- Copper Ground Lug

ORDERING INFORMATION

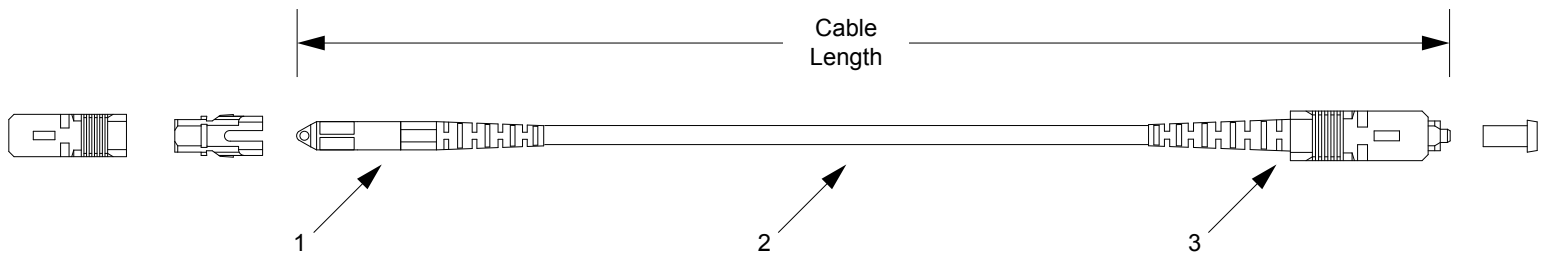
Part Number	Description
FPP-TN-C3-SAB-NKHI3-050F	"TheNID" Indoor/Outdoor Wall Mount Fiber Patch Panel, gray plastic, rotating slack storage reel with 50 ft of micro armored pushable fiber with bullet end. Includes a SC APC Simplex adapter version, can clamp on round or flat cable, ground lug pre-installed, can handle up to 1 inch conduit.
FPP-TN-C3-SAB-NKHI3-100F	"TheNID" Indoor/Outdoor Wall Mount Fiber Patch Panel, gray plastic, rotating slack storage reel with 100 ft of micro armored pushable fiber with bullet end. Includes a SC APC Simplex adapter version, can clamp on round or flat cable, ground lug pre-installed, can handle up to 1 inch conduit.
FPP-TN-C3-SAB-NKHI3-150F	"TheNID" Indoor/Outdoor Wall Mount Fiber Patch Panel, gray plastic, rotating slack storage reel with 150 ft of micro armored pushable fiber with bullet end. Includes a SC APC Simplex adapter version, can clamp on round or flat cable, ground lug pre-installed, can handle up to 1 inch conduit.

HyperDrop GEL Technical Specifications

IMAGES



Housing Dimensions



1. SC/APC SM 3.0 mm Pushable Simplex Connector (5.8 mm [0.23 in] diameter) (Metal Pushable Cap, Green Housing Black Boot)
2. 3.0 mm, Single-mode, 9/125 G657A2, Armored, Simplex, Fiber Optic Cable, Black, LSZH UV Stabilized
3. SC/APC SM 3.0 mm Simplex Connector (Green Housing Black Boot)

Fiber Dimensions