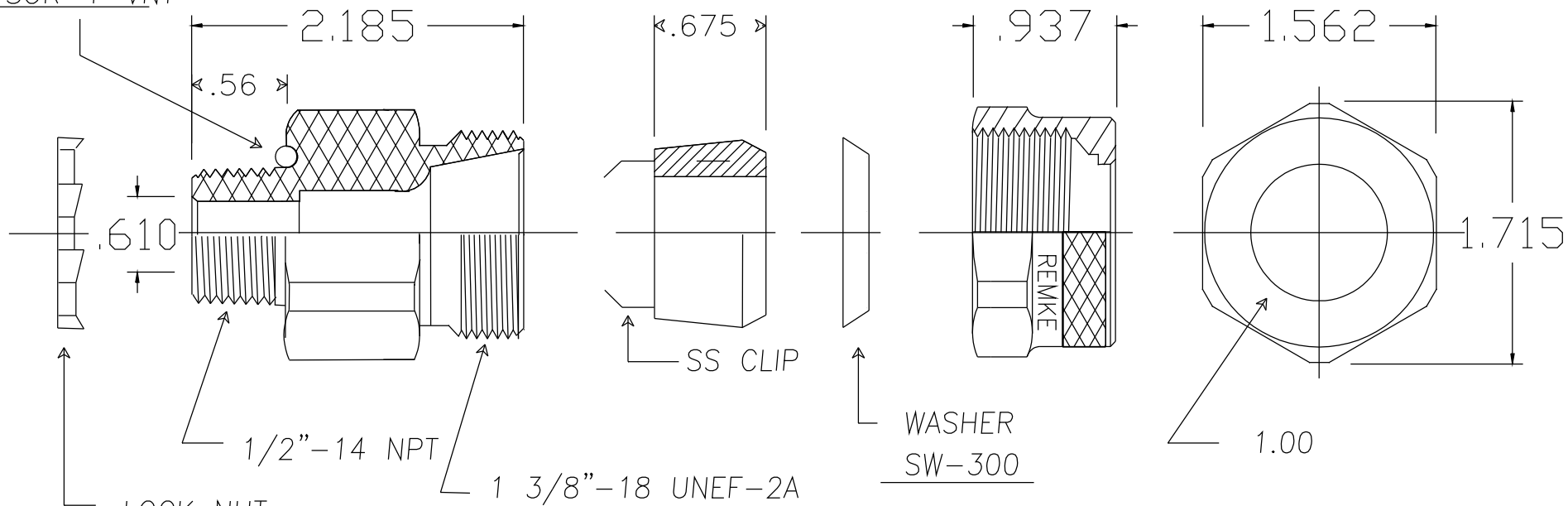


BODY
TKN304B

BUSHING
TK-302-SRB

NUT
TKN-304-N

O-RING
SOR-1-VNT



LOCK NUT
LN-50-SS

MATERIAL:

ALUMINUM BODY AND NUT
NEOPRENE RUBBER BUSHING & SS CLIPS
NEOPRENE RUBBER O-RING
ZINC PLATED STEEL WASHER
STAINLESS STEEL LOCK NUT

REMKE INDUSTRIES
Wheeling, Illinois 60090

SCALE: APPROX FULL

MATERIAL: SEE NOTE

FINISH: NICKEL

PART NAME: MC CABLE CONNECTOR

PART NUMBER: RTKN-050-4LNSS

DRAWING DATE: 11/06/2012

REV.	DATE	CHANGE
A	11/6/12	DRAWING RELEASED

UNLESS OTHERWISE SPECIFIED
 3-PLC. DIM. +/- .005
 2-PLC. DIM. +/- .010
 1-PLC. DIM. +/- .015
 FRACTIONAL +/- 1/64
 ANGULAR +/- °1