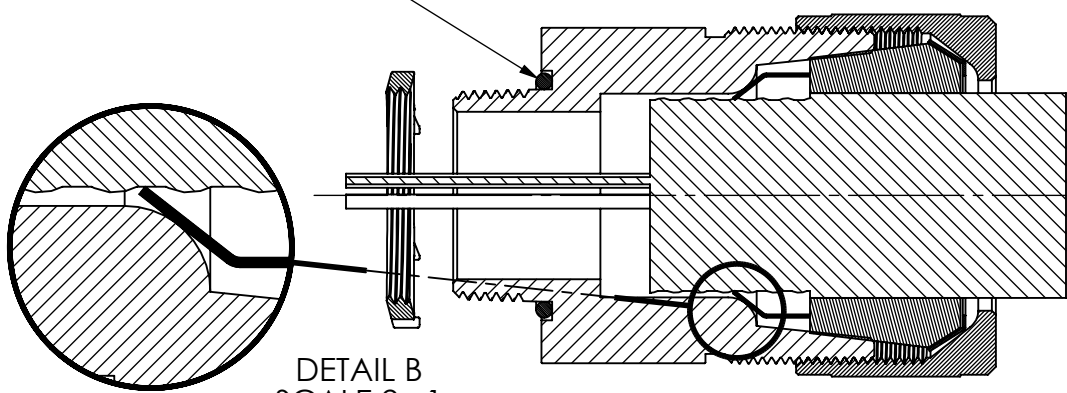
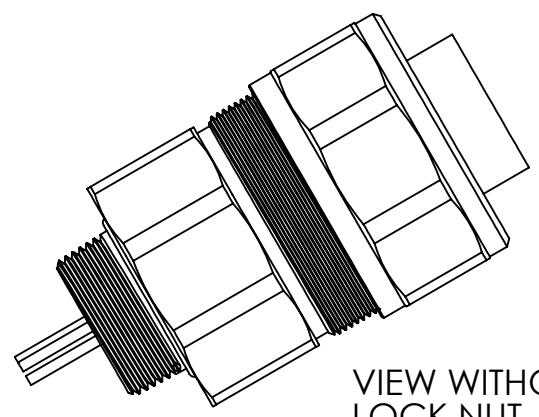


LOCK NUT  
OPTIONAL  
ADD: L

O-RING



DETAIL B  
SCALE 2 : 1



REV.	DATE	CHANGE	UNLESS OTHERWISE SPECIFIED:	DRAWN	NAME	DATE	<b>REMKE</b> <b>REMKE INDUSTRIES</b> 310 CHADDICK DR, WHEELING, IL. 60090	
A	7/30/14	DRAWING RELEASED	DIMENSIONS ARE IN INCHES TOLERANCES: FRACTIONAL ± 1/64 ANGULAR: MACH ± 1° BEND ± 1° ONE PLACE DECIMAL ± .015 TWO PLACE DECIMAL ± .010 THREE PLACE DECIMAL ± .005	JCN	JCN	7/14	TITLE:	
			INTERPRET GEOMETRIC TOLERANCING PER:	CHECKED			SIZE DWG. NO.	
			MATERIAL	ENG APPR.			A RTKSS-125-9	
			FINISH	MFG APPR.			SCALE: 2:3	
			DO NOT SCALE DRAWING	Q.A.			SHEET 1 OF 1	
				PROPRIETARY AND CONFIDENTIAL THE INFORMATION CONTAINED IN THIS DRAWING IS THE SOLE PROPERTY OF REMKE INDUSTRIES. ANY REPRODUCTION IN PART OR AS A WHOLE WITHOUT THE WRITTEN PERMISSION OF REMKE INDUSTRIES IS PROHIBITED.				