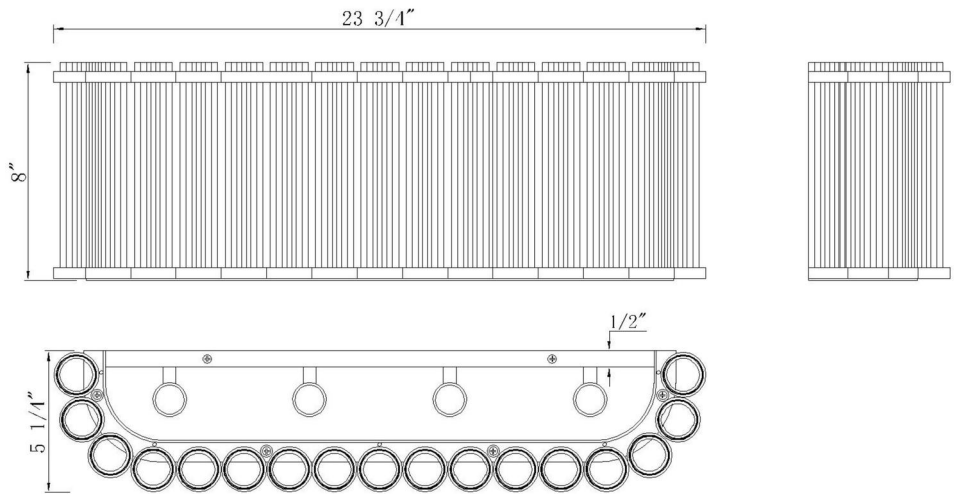


JOB NAME:

DATE:

TYPE:

COMMENTS:



**LIGHT INFORMATION**

Light Type	Bulb
Bulb Socket	E12
Bulb Shape	B10
Number of Lights	4
Light Direction	Ambient
Current Type	AC
Input Voltage	120
Total Wattage	240

**DIMENSIONS & WEIGHT**

Width (In)	23.75
Height (In)	8
Ext (In)	5.25
Weight (Lbs)	9.5

**INSTALLATION**

Mounting Type	J-Box
Rating	Damp
Hanging Support Type	J-Box

**PRODUCT FINISH**

Polished Nickel

**SHADE FINISH**

Ribbed Glass

**CERTIFICATIONS & COMPLIANCE**

