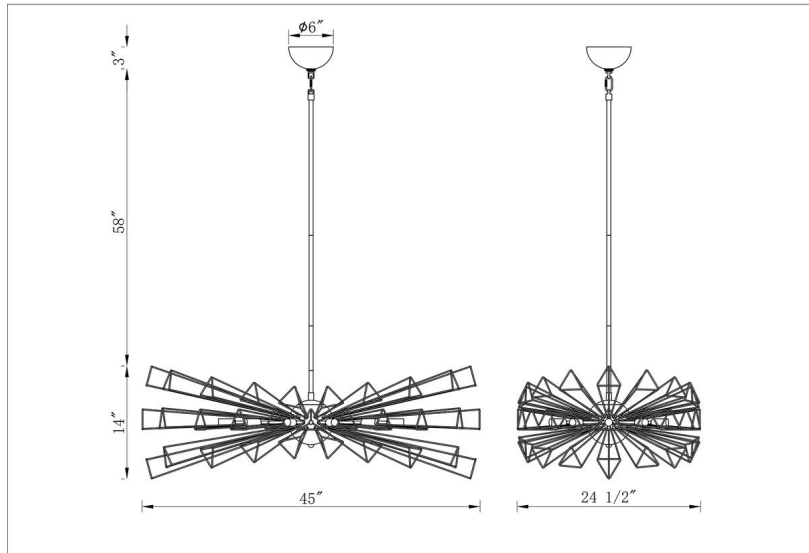
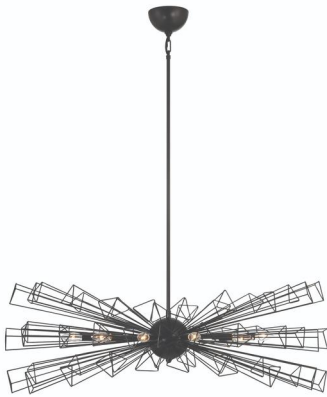


JOB NAME:

DATE:

TYPE:

COMMENTS:



LIGHT INFORMATION

| | |
|------------------|-----------|
| Light Type | Bulb |
| Bulb Socket | E12 |
| Bulb Shape | B10 |
| Number of Lights | 10 |
| Light Direction | Ambient |
| Dimming Method | Triac/Elv |
| Current Type | AC |
| Input Voltage | 120 |
| Total Wattage | 600 |

DIMENSIONS & WEIGHT

| | |
|-----------------|-------|
| Length (In) | 45 |
| Width (In) | 24.5 |
| Height (In) | 14 |
| Min Height (In) | 20 |
| Max Height (In) | 74 |
| Weight (Lbs) | 18.48 |

INSTALLATION

| | |
|----------------------|-------|
| Mounting Type | J-Box |
| Rating | Dry |
| Hanging Support Type | Rod |

PRODUCT FINISH

Matte Black

CERTIFICATIONS & COMPLIANCE

