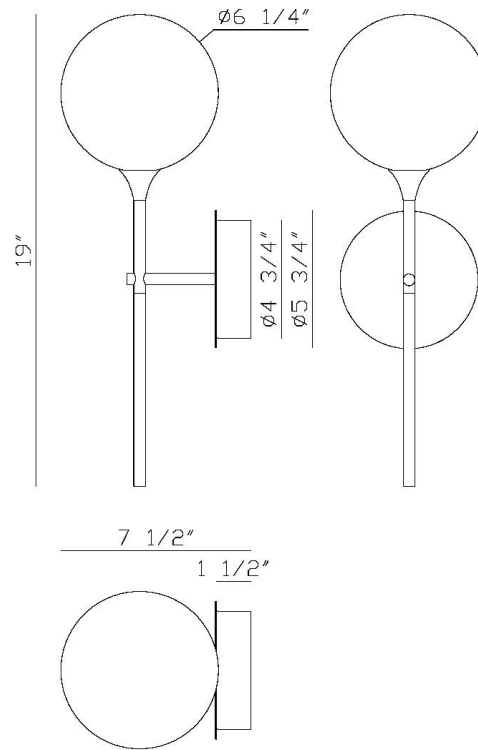


JOB NAME:

DATE:

TYPE:

COMMENTS:



**LIGHT INFORMATION**

Light Type	Integrated LED
CRI	90
Delivered Lumens	339
Color Temperature	3000K
LED Lifespan (L70)	52000
Number of Lights	1
Light Direction	Ambient
Dimming Method	Triac/Elv
Current Type	DC
Input Voltage	120-277
Total Wattage	4.5

**DIMENSIONS & WEIGHT**

Width (In)	5.5
Height (In)	19
Ext (In)	7.75
Weight (Lbs)	2.09

**INSTALLATION**

Mounting Type	J-Box
Rating	Damp
Hanging Support Type	J-Box

**PRODUCT FINISH**

Gold

**SHADE FINISH**

Clear Glass

**CERTIFICATIONS & COMPLIANCE**

