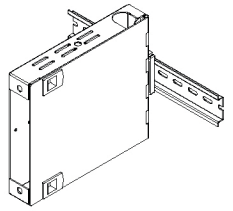
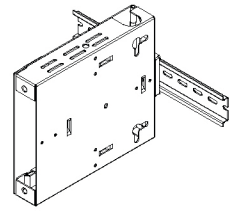


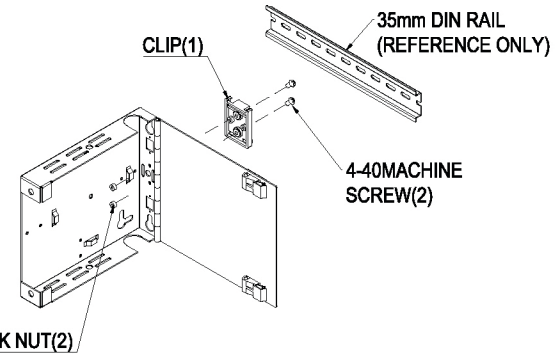
CHANGE			
EDIT	MODIFICATION	DATE	SIGNATURE



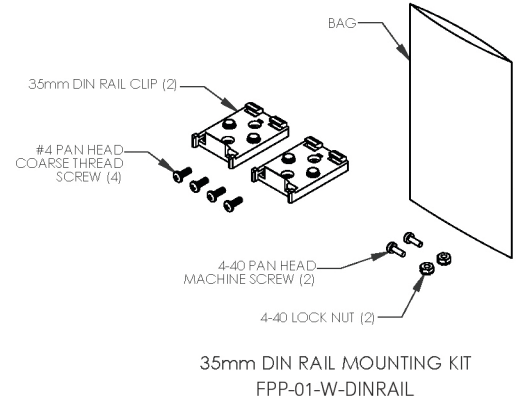
EDGE MOUNT DOOR RIGHT



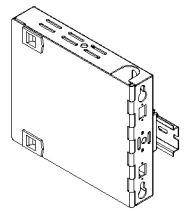
EDGE MOUNT DOOR LEFT



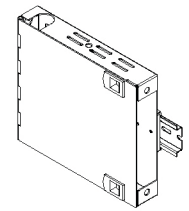
EDGE MOUNT DOOR ASSEMBLY



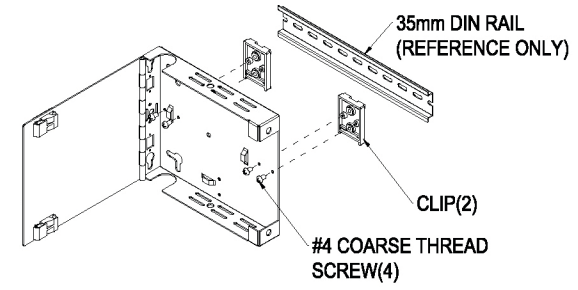
35mm DIN RAIL MOUNTING KIT  
FPP-01-W-DINRAIL



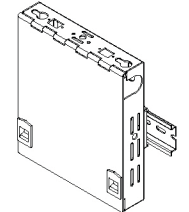
BASE MOUNT HINGE RIGHT



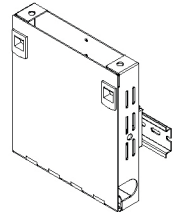
BASE MOUNT HINGE LEFT



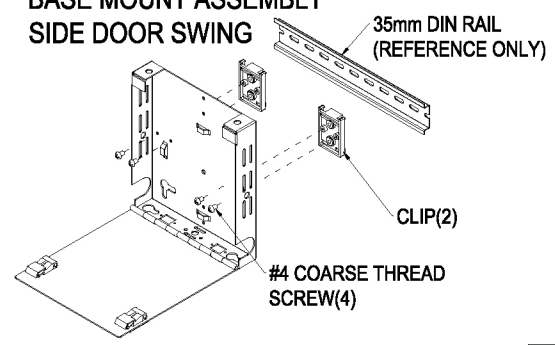
BASE MOUNT ASSEMBLY  
SIDE DOOR SWING



BASE MOUNT HINGE UP



BASE MOUNT HINGE DOWN



BASE MOUNT ASSEMBLY  
VERTICAL DOOR SWING



PRODUCT NO	FPP-01-W-DINRAIL	DESCRIPTION	FPP-01-W-DINRAIL			AWG NO	
MATERIAL	SPCC T=1.2	UNIT	MM	SCALE	1:1	EDIT	A0
DIMENSIONAL TOLERANCE		THIRD ANGLE PROJECTION		DRAWN	C. Hoskins	DATE	2019/12/3
XX	+0.3			CHECK	C. Hoskins	DATE	2019/12/3
XXX	+0.10			APPROVAL	C. Hoskins	DATE	2019/12/3
XXXX	+0.050						
ANGLE	1°						