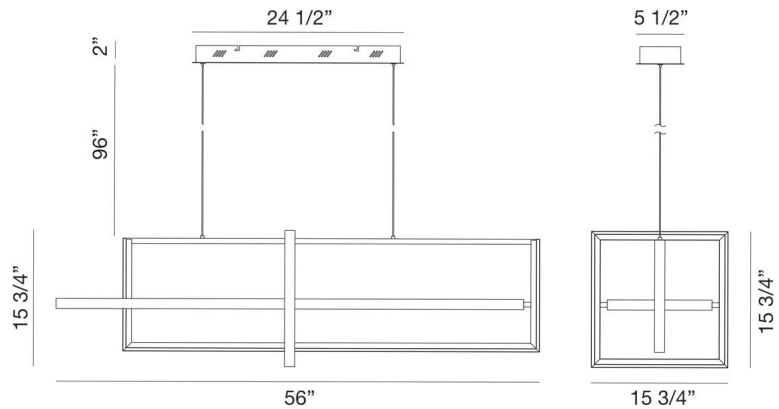


JOB NAME:

DATE:

TYPE:

COMMENTS:



LIGHT INFORMATION

Light Type	Integrated LED
CRI	90
Delivered Lumens	7700
Color Temperature	3000K
LED Lifespan (L70)	20000
Number of Lights	3
Light Direction	Ambient
Dimming Method	Triac/Elv
Current Type	DC
Input Voltage	120
Total Wattage	137

DIMENSIONS & WEIGHT

Length (In)	56
Width (In)	15.75
Height (In)	15.75
Min Height (In)	37.75
Max Height (In)	113.75
Weight (Lbs)	21.56

INSTALLATION

Mounting Type	J-Box
Rating	Dry
Hanging Support Type	Aircraft Cable

PRODUCT FINISH

Matte Black

SHADE FINISH

Rectangle White Acrylic

CERTIFICATIONS & COMPLIANCE

