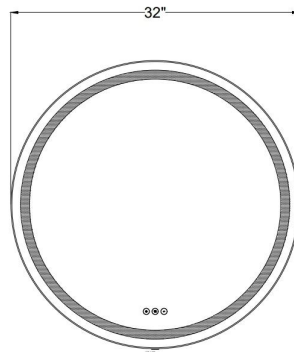


JOB NAME:

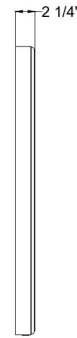
DATE:

TYPE:

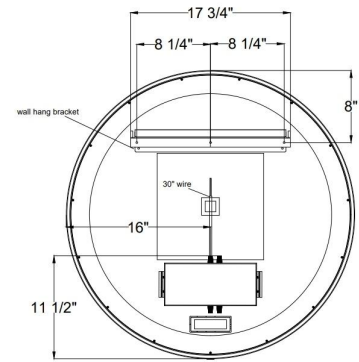
COMMENTS:



FRONT VIEW



RIGHT SIDE



REAR VIEW

**LIGHT INFORMATION**

Light Type	Integrated LED
CRI	90
Delivered Lumens	968
Color Temperature	3000K-6400K
LED Lifespan (L70)	52000
Light Direction	Ambient
Dimming Method	Touch Switch
Current Type	DC
Input Voltage	120
Total Wattage	59

**DIMENSIONS & WEIGHT**

Diameter (In)	32
Ext (In)	2.13
Weight (Lbs)	23.58

**INSTALLATION**

Mounting Type	J-Box
Rating	Damp
Hanging Support Type	Z-Bar

**PRODUCT FINISH**

Brushed Gold

**PRODUCT FEATURES**

Front & Backlit/Nightlight

**CERTIFICATIONS & COMPLIANCE**

