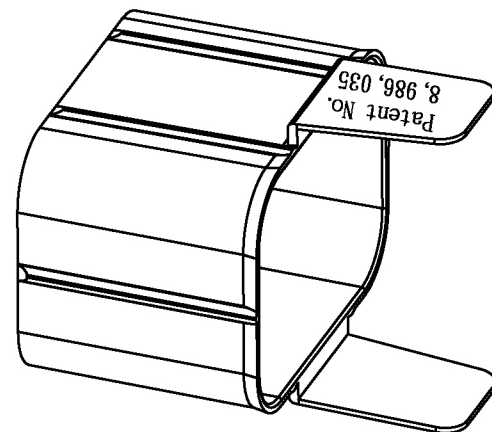
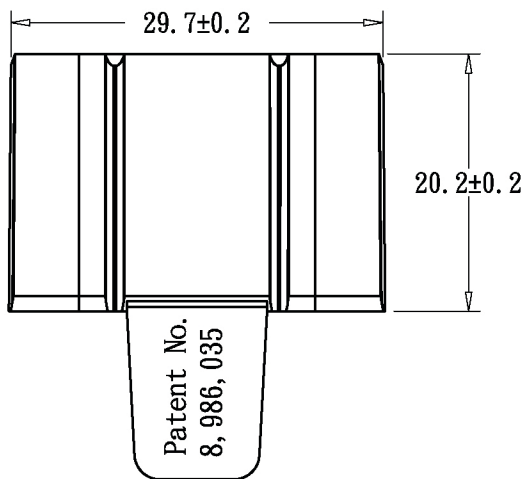


VIEW: A-A



Note:
No Sticker on the bag

Tolerance >0±0.30 >1.0±0.50 >10.0±1.0 >20.0±2.0 Angle: ±1°	Approved		Date					
	Checked		Date					
	Drawn		Date	17.2.20	Customer			
	Cat. No.	YC-18(C19) SLEEVE			P/N.	SureFIT-C19		
	Drawing No.		Rev.	B	Material	PA66	Unit	mm
				HEFT(g)				

NO.	SPECIFICATION	QTY	REMARK
1	YC-18 SLEEVE BLACK	1PC	