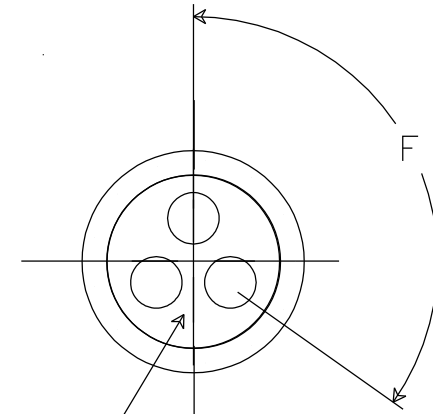
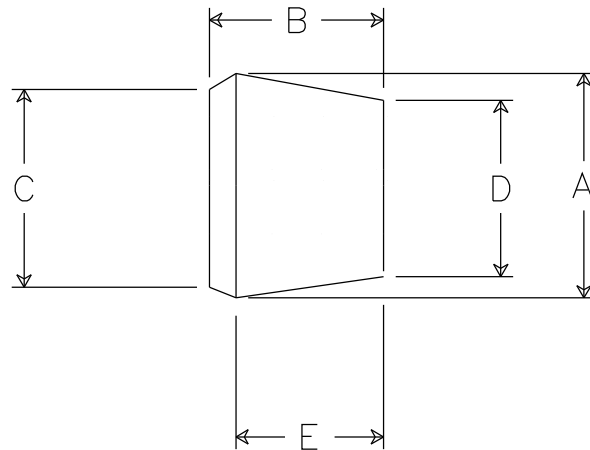


DIMENSIONS

- A 1.125
- B 0.875
- C 1.031
- D 0.875
- E 0.750
- F 120 DEGREES



THREE HOLES .250 DIA. SPACED
120 DEGREES APART WITH
CENTERS ON A .416 DIA.
HOLE SIZE +/- .010

NOTES:

- 1.0 ANGULAR TOLERANCE +/- 1/2 DEGREE
- 2.) FLASH TO BE HELD TO A MINIMUM
AND MAY NOT WEBB ACROSS HOLE DIA.
- 3.) 1D/OD CONCENTRICITY WITHIN .20
- 4.) ALL OTHER DIM +/- .015

REMKE INDUSTRIES
Wheeling, Illinois 60090

SCALE:	APPROX FULL
MATERIAL:	NEOPRENE 50-60 DUROMETER
FINISH:	NATURAL BLACK
PART NAME:	BUSHING
PART NUMBER:	SRB-204-3
DRAWING DATE:	001024