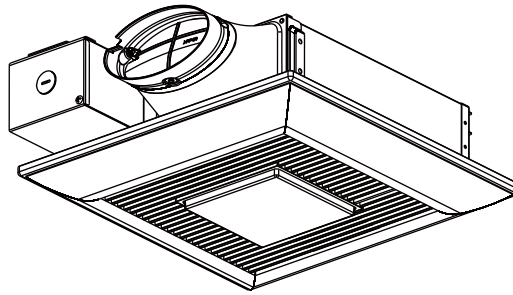


Service Manual

Ventilating Fan
(North America Market)



FV-0510VSCL1

⚠ WARNING

This service information is designed for experienced repair technicians only and is not designed for use by the general public. It does not contain warnings or cautions to advise non-technical individuals of potential dangers in attempting to service a product. Products powered by electricity should be serviced or repaired only by experienced professional technicians. Any attempt to service or repair the product or products dealt with in this service information by anyone else could result in serious injury or death.

IMPORTANT SAFETY NOTICE

There are special components used in this equipment which are important for safety. These parts are marked by ⚠ in the Schematic Diagrams, Exploded Views and Replacement Parts List. It is essential that these critical parts should be replaced with manufacturer's specified parts to prevent shock, fire or other hazards. Do not modify the original design without permission of manufacture.
We suggest to handle such parts after the static electricity prevention.
It is forbidden to touch the PCB parts by bare hands during the repairing process.

CONTENTS	PAGE
1.Specifications	1
2.Parts Identification	2~3
3.Wiring Diagram	4
4.Parts List	5

1. Specifications

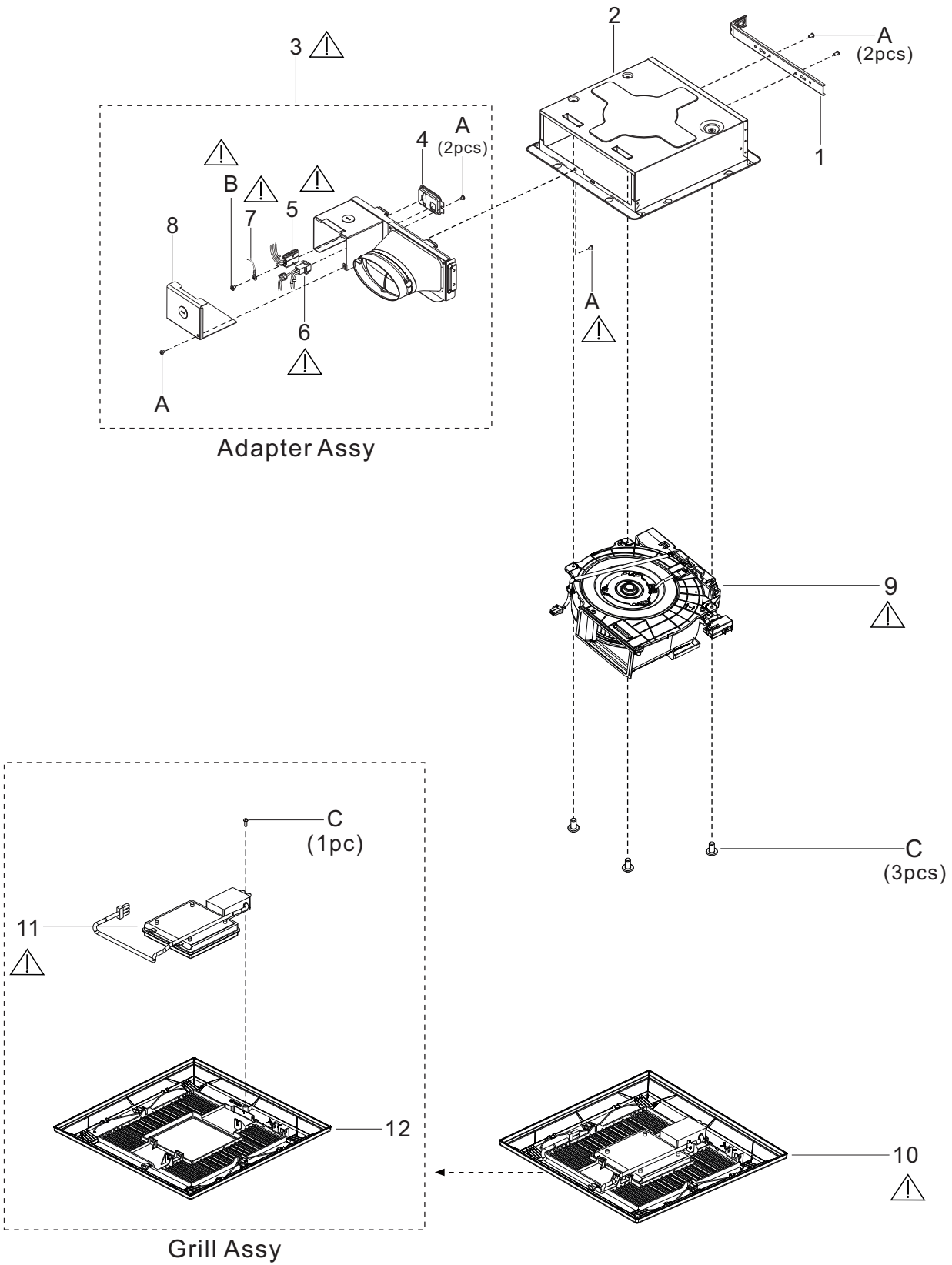
Model No.	Air direction	Voltage (V)	Frequency (Hz)	Duct diameter (inches)	Air volume at 0.1" WG (CFM)	Noise (sones)	Speed (rpm)	Power (W)	Weight lb.(kg)
FV-0510VSCL1	Exhaust	120	60	4	50	<0.3	733	4.5	7.9 (3.6)
					80	0.4	856	8.5	
					100	0.9	954	12.4	

HVI Certified performance based on HVI Procedures 915, 916, and 920.

2. Parts Identification

FV-0510VSCL1

Main Body Section



2. Parts Identification

FV-0510VSCL1

Main Labels

Panasonic Ventilating Fan/Ventilateur


Model No. FV-0510VSCL1 **FC** **M**

AC 120 V 60 Hz Lot No. 10205M

0.39 A (Fan) 0.1 A (Light)

	CFM	Sones	CFM	Sones	CFM	Sones
0.1" SP	100	0.9	80	0.4	50	<0.3
0.25" SP	101	1.3	81	0.8	52	0.4

Panasonic Corporation of North America
Assembled in Mexico / Assemblé au Mexique



1 Means Year: 2021
02 Means Month
05 Means Day
M In House Motor

QR CODE
(Model No. & Serial No.)

ATTENTION
 Circuit board assembly inside, do not drill the can/housing. For details, please refer to installation instructions.

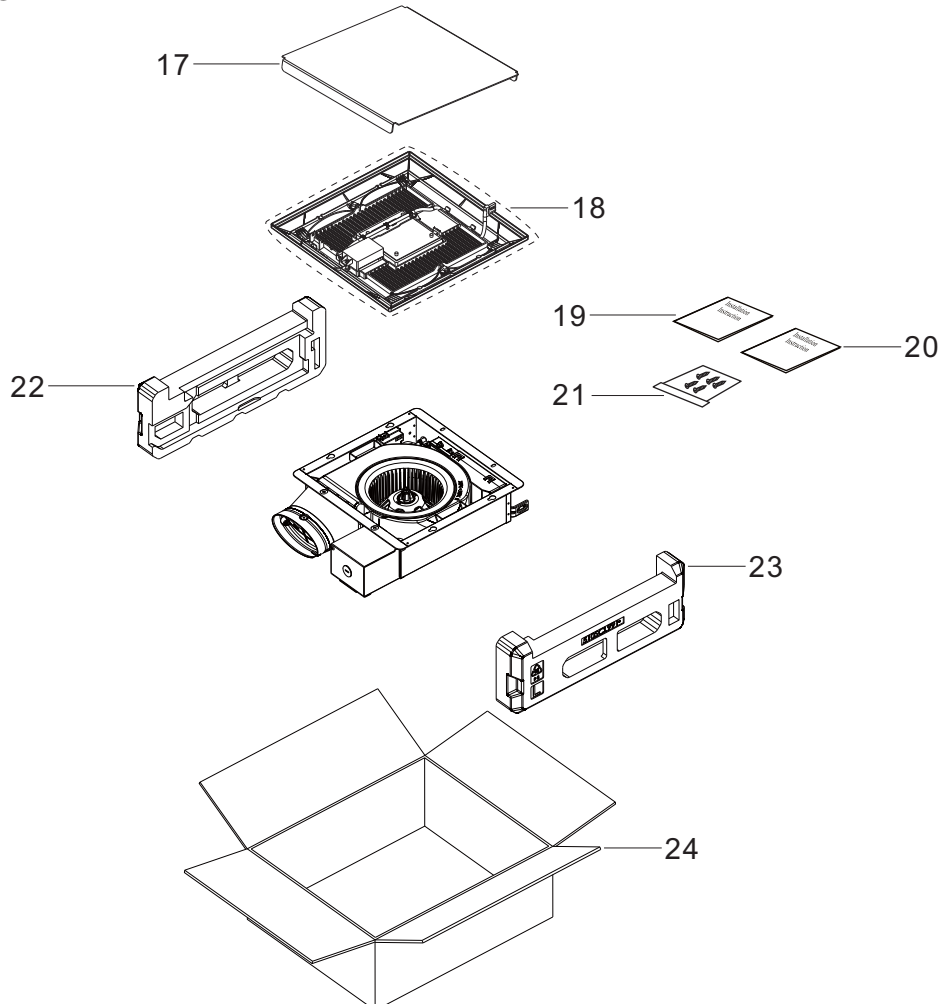
ATTENTION
 Carte de circuit imprimé à l'intérieur, ne percez pas le boîtier. Pour plus de détails, consultez les instructions d'installation.



Not for use in cooking area-See installation instructions / Non destiné à la zone de cuisson - Voir instructions d'installation / No usar en áreas donde se cocine - Consulte las instrucciones de instalación.

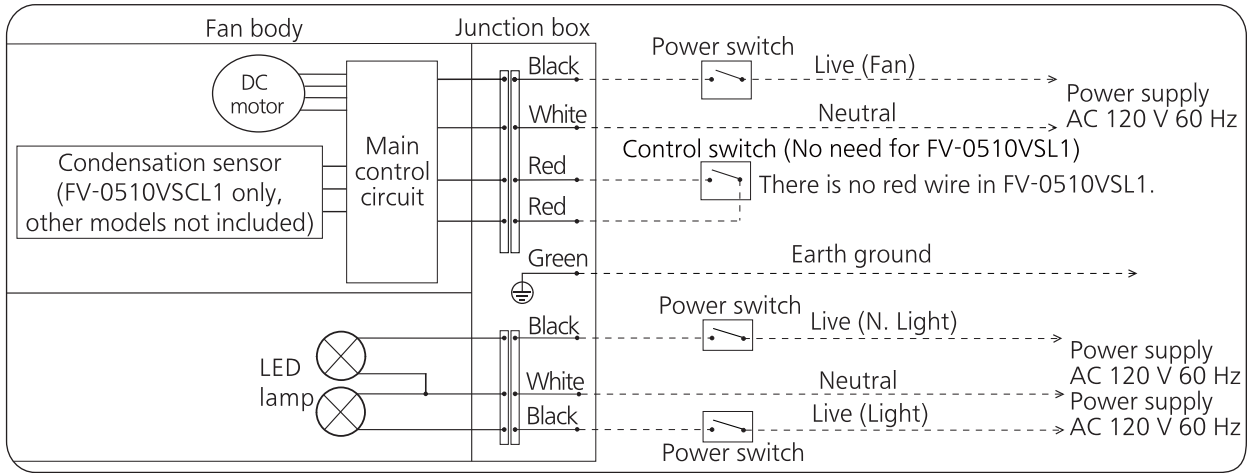
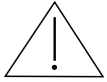


Packing Section



3. Wiring Diagram

FV-0510VSCL1



4. Parts List

FV-0510VSCL1

Main Body Section

No.	Part No.	Part Name	Q'ty	Remark
1	FFV5710025S	Suspension Bracket	1	
2	FFV1600159S	Frame Assy	1	
3	FFV0000172S	Adapter Assy	1	⚠
4	FFV0900054S	Connector Plate	1	
5	FFV0900069S	Connector Assy (L)	1	⚠
6	FFV0900073S	Connector Assy(V)	1	⚠
7	FFV3450010S	Earth Lead Wire	1	⚠
8	FFV2800027S	Junction Cover	1	
9	FFV0510VSC1M	Casing Section	1	⚠
10	FFV3400147S	Louver Assy	1	⚠
11	FFV3400148S	Led Unit	1	
12	FFV3400149S	Louver Unit	1	
A	FFV7000108S	Truss Tap Screw	5	⚠
B	FFV7000227S	Earth Screw Assy	1	Include Spring Washer ⚠
C	FFV7000202S	Bind Tap Screw	4	

Main Labels

No.	Part No.	Part Name	Q'ty	Remark
13	FFV510SCL15	Name Plate	1	
14	FFV6730110S	Warning Label	1	
15	FFV0810011S	Caution Label 1	1	
16	FFV2260003S	UL Mark	1	

Packing Section

No.	Part No.	Part Name	Q'ty	Remark
17	FFV4710381S	Louver Case Assy	1	
18	FFV4650016S	Poly Cover	1	
19	FFV510SCL420	Installation Instructions	1	English / Spanish, For USA Market
20	FFV510SCL421	Installation Instructions	1	English / French, For Canada Market
21	FFV0010231S	Accessory A	1	
22	FFV4710431S	Right Pad	1	
23	FFV4710432S	Left Pad	1	
24	FFV9001335S	Packing Case Assy	1	