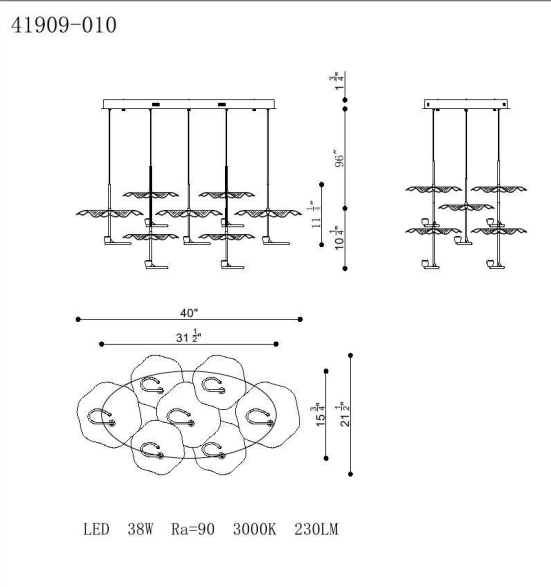


JOB NAME:

DATE:

TYPE:

COMMENTS:



LIGHT INFORMATION

Light Type	Integrated LED
CRI	90
Delivered Lumens	230
Color Temperature	3000K
LED Lifespan (L70)	20000
Number of Lights	7
Light Direction	Ambient
Dimming Method	Triac/Elv
Current Type	DC
Input Voltage	120
Total Wattage	18

DIMENSIONS & WEIGHT

Length (In)	40
Width (In)	21.5
Height (In)	11.75
Min Height (In)	33.25
Max Height (In)	109.25
Weight (Lbs)	27.33

INSTALLATION

Mounting Type	J-Box
Rating	Dry
Hanging Support Type	Wire

PRODUCT FINISH

Oil Rubbed Bronze

CERTIFICATIONS & COMPLIANCE

