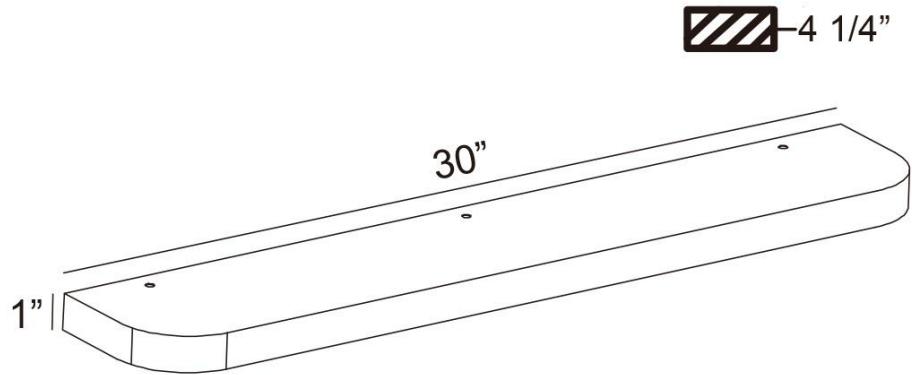


JOB NAME:

DATE:

TYPE:

COMMENTS:



LIGHT INFORMATION

DIMENSIONS & WEIGHT

PRODUCT FINISH

Width (In)	30
Height (In)	1
Ext (In)	4.5
Weight (Lbs)	2.01

Midnight Navy

CERTIFICATIONS & COMPLIANCE

INSTALLATION