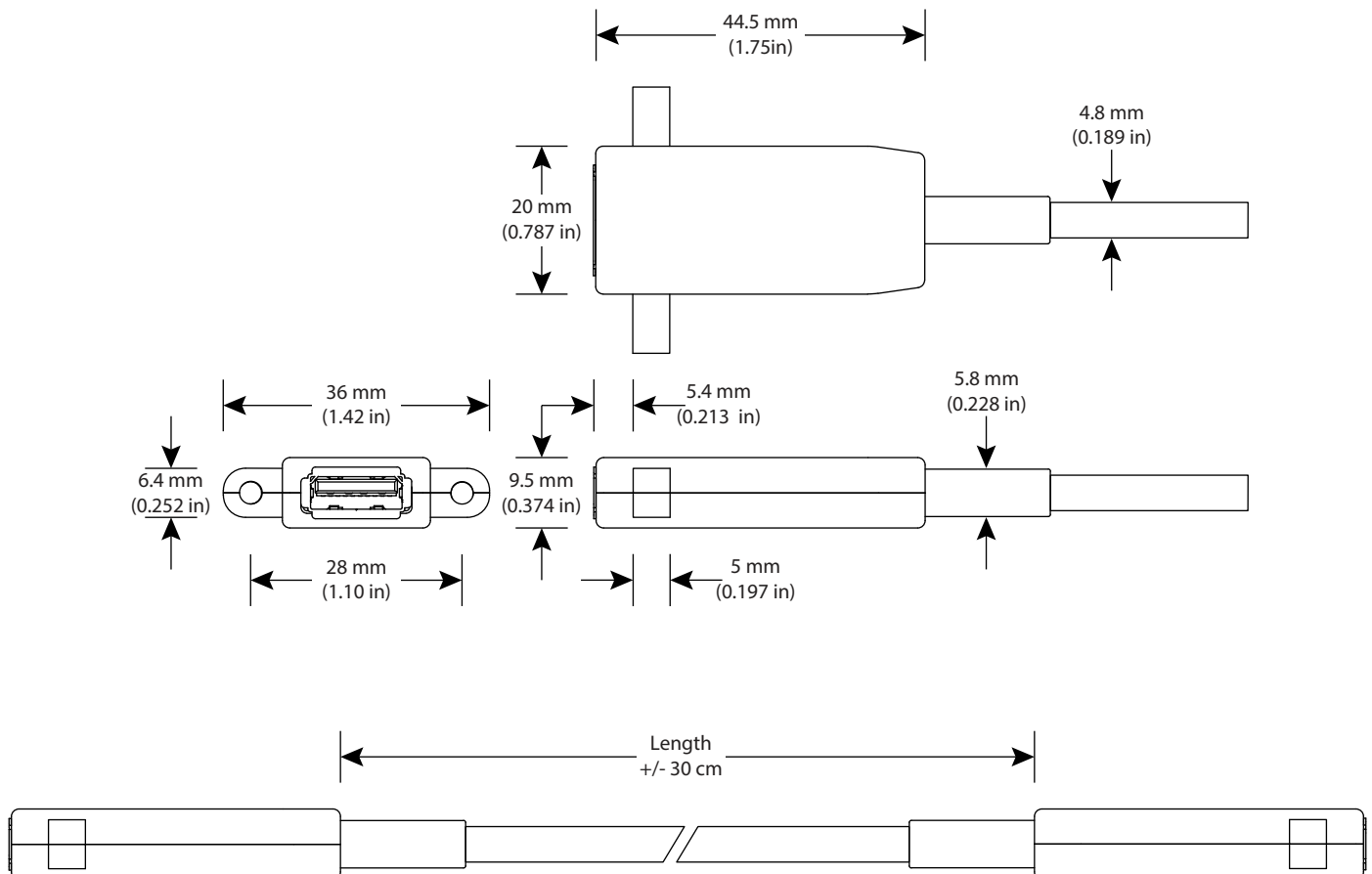


## Technical Specifications

# MOFO-USB321PT

*MOFO™ Media Over Fiber Optic cable – USB 3.2/2.0/1.1 F to F – plenum rated with plate connectivity*

- True fiber cable core using TechLogix’s MOFO™ technology
- Plenum-rated jacket; fiber-based USB cable
- Female Type A USB connector to Female Type A USB connector
- Compatible with USB 3.0/3.1/3.2 (SuperSpeed 10G) devices
- Compatible with USB 2.0 (high-speed) and USB 1.1 (full speed) devices
- No power required (completely powered by USB bus)
- Plug-and-play – no drivers required
- Metal molded connector head shells with embedded nuts
- Directional operation – clearly marked Host & Device head shells
- Interference-free performance
- Recommended for conduit/pipe/duct diameters of 1 1/2” or greater
- Recommended for 2” wall boxes – available trim build out ring for shallower boxes
- Available in multiple cable lengths (5m / 8m / 10m / 15m)
- Patent pending (No. 63/239,548)
- Includes 2m patch cord for plate connectivity to devices



## Head Shell Specifications

Overall Dimensions (W X H X D)	36mm (1.42 in) x 9.5mm (0.374 in) x 44.5mm (1.75 in)
Mounting Ear Depth	5.4mm (0.213 in)
Head Shell Dimensions without Mounting Ears	20mm (0.787 in) x 9.5mm (0.374 in) x 44.5mm (1.75 in)
Space Between Mounting Points	28mm (1.10 in)
Connector	Female USB Type A (SuperSpeed)
Mounting Screw Size	M3-0.5
Materials	Anodized aluminum

## Signal Specifications

USB Signal Type	SuperSpeed (10G), High Speed, Full Speed
Supported Device Types at Host	Control, interrupt, bulk, and isochronous

## Electrical and Optical Specifications

Supply Voltage from Host Device	4.75 to 5.25V (5V typ.)
Current Draw from Host Device	49.5 to 60.5mA (55mA typ.)
Differential Impedance	90Ω
Optical Transceiver	850nm VCSEL (multimode)
Host Side Optical Output Power	0 dBm minimum
Random Jitter	3 ps maximum
Deterministic Jitter	60 ps maximum
Total Jitter at 10-12 BER	100 ps maximum
Device Side Optical Sensitivity	-7.5 dBm minimum
Device Side AC Coupling Capacitor on Output	75 to 200 nF (100 nF typical)

## Cable Specifications

Cable Type	Hybrid optical (OM3) and copper (8-strand)
Cable Diameter	4.8mm (0.189 in)
Minimum Bend Radius	45mm (1.77 in)
Jacket Material	Black plenum-rated PVC

## Environmental Specifications

Operating Temperature (Environment)	0° to +50° C (32° to 122° F)
Storage Temperature (Environment)	-20° to +70° C (-4° to 158° F)
Storage Relative Humidity (Environment)	10% to 85%

## Other

Warranty	1 year
Included Accessories	1 ea 2m (6.5 ft) USB 3.2 Male to Male Cable
Compatible MOFO™ Inserts	MOFO-PT-TA1 series MOFO-PT-WD1 series MOFO-PT-WD2 series

## SKUs and Cable Lengths

MOFO-USB321PT-05	5m (16.4 ft)
MOFO-USB321PT-08	8m (26.25 ft)
MOFO-USB321PT-10	10m (32.8 ft)
MOFO-USB321PT-15	15m (49.2 ft)