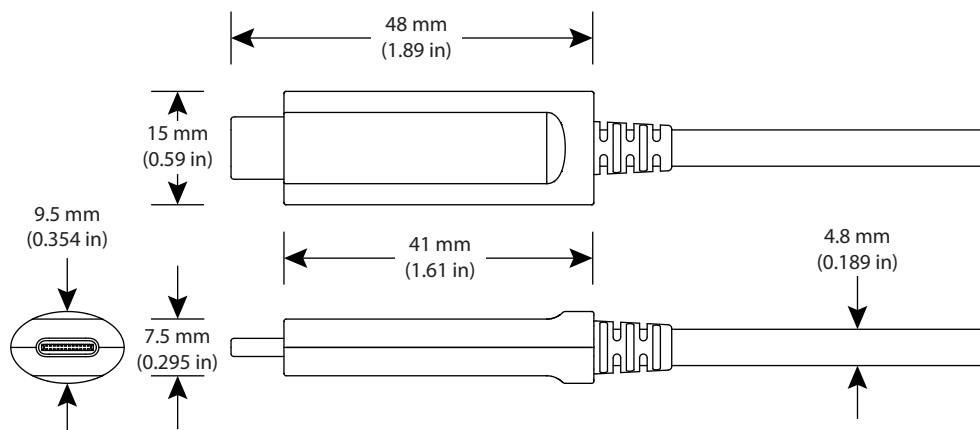
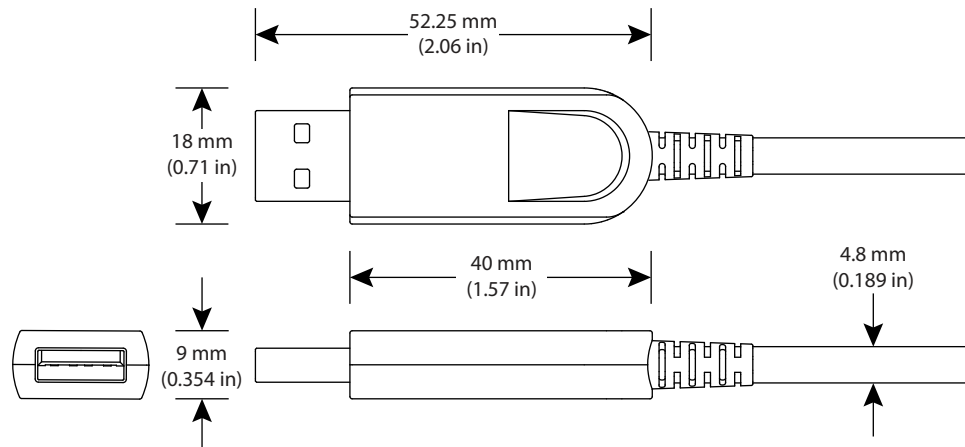


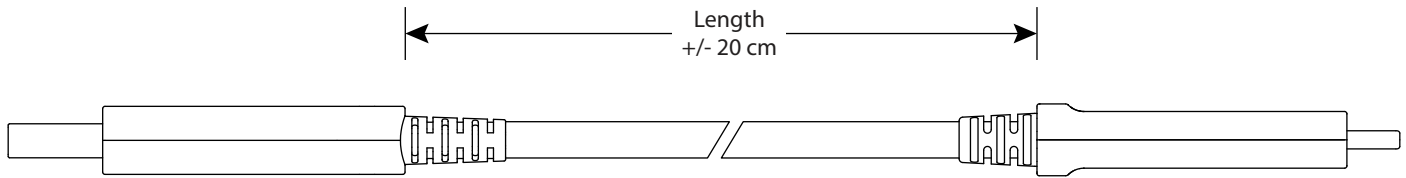
Technical Specifications

MOFO-USBAC

MOFO™ Media Over Fiber Optic cable – USB 3.2/2.0/1.1 Type A Female to Type C – plenum rated

- True fiber cable core using TechLogix's MOFO™ technology
- Plenum-rated jacket; fiber-based USB cable
- Male Type A USB connector to male Type C USB connector
- Compatible with USB 3.2 Gen 2 (SuperSpeed 10G) devices and USB 2.0 (high-speed) devices
- Directional operation – clearly marked Host and Device headshells
- Plug-and-play – no drivers required
- True fiber cable core using TechLogix's MOFO™ technology
- Metal molded connector head shells
- Interference-free performance
- Recommended for conduit/pipe/duct diameters of 3/4" or greater if pulling the USB C side
- Recommended for conduit/pipe/duct diameters of 1" or greater if pulling the USB A side





Host Side Head Shell Specifications

Dimensions (W X H X D) without Connector	18mm (0.71 in) x 9mm (0.354 in) x 40mm (1.57 in)
Dimensions (W X H X D) with Connector	18mm (0.71 in) x 9mm (0.354 in) x 52.25mm (2.06 in)
Connector	Male USB Type A
Materials	Anodized aluminum

Device Side Head Shell Specifications

Dimensions (W X H X D) without Connector	15mm (0.59 in) x 9.5mm (0.354 in) x 41mm (1.61 in)
Dimensions (W X H X D) with Connector	15mm (0.59 in) x 9.5mm (0.354 in) x 48mm (1.89 in)
Connector	Male USB Type C
Materials	Anodized aluminum

Signal Specifications

USB Signal Type	SuperSpeed (10G), High Speed, Full Speed
Supported Device Types at Host	Control, interrupt, bulk, and isochronous
Power Delivery (up to 15m)	5V @ 0.9 mA (4.5 watts maximum)

Electrical and Optical Specifications

Supply Voltage	4.75 to 5.25V (5V typ.)
Working Current	90 mA
Differential Impedance	90Ω
Optical Transceiver	850nm VCSEL (multimode)

Cable Specifications

Cable Type	Hybrid optical (OM3) and copper (8-strand)
Cable Diameter	4.8mm (0.189 in)
Minimum Bend Radius	40mm (1.57 in)
Tensile Strength	200N (45 lbs)
Crush Resistance	100N/100mm (145 psi)
Jacket Material	Black plenum-rated PVC

Environmental Specifications

Operating Temperature (Environment)	0° to +50° C (32° to 122° F)
Storage Temperature (Environment)	-20° to +70° C (-4° to 158° F)
Storage Relative Humidity (Environment)	10% to 85%

Other

Warranty	1 year
----------	--------

SKUs and Cable Lengths

MOFO-USBAC-03	3m (9.8 ft)
MOFO-USBAC-05	5m (16.4 ft)
MOFO-USBAC-08	8m (26.25 ft)
MOFO-USBAC-10	10m (32.8 ft)
MOFO-USBAC-15	15m (49.2 ft)
MOFO-USBAC-30	30m (98.4ft)
MOFO-USBAC-50	50m (164 ft)