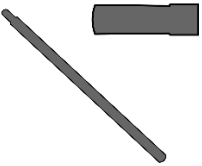



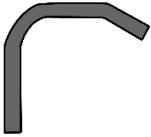

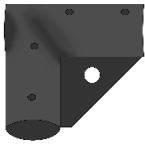


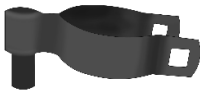
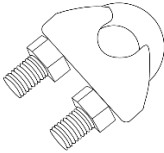
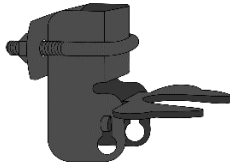

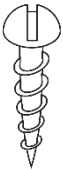



Outdoor Cat Fence Gate Installation Instructions

HARDWARE PARTS

<p>A</p> <p>QTY: 2</p>  <p>17 Gauge Black Powder Coated Galvanized Pipe Swedge End (See below for measurements)</p>	<p>B</p> <p>QTY: 2</p>  <p>17 Gauge Black Powder Coated Galvanized Pipe (Horizontal Gate Pipe) (See below for measurements)</p>	<p>C</p> <p>QTY: 2</p>  <p>17 Gauge Black Powder Coated Galvanized Pipe (Vertical Gate Pipe) (See below for measurements)</p>	<p>D</p> <p>QTY: 2</p>  <p>17 Gauge Black Powder Coated Galvanized Pipe (Spreader Bars) (See below for measurements)</p>
<p>E</p> <p>QTY: 2</p>  <p>Overhang Cat Fence Extender No Plate SKU: DE8162</p>	<p>F</p> <p>QTY: 2</p>  <p>Black Ground Sleeve for 1 3/8" Post SKU: DE8195</p>	<p>G</p> <p>QTY: 4</p>  <p>Corner Elbow Hex 1 3/8" Heavy Duty Black SKU: DE8112</p>	<p>H</p> <p>QTY: 4</p>  <p>End Clamp Black Galvanized Steel 1 3/8" x 1 3/8" SKU: DE8154</p>
<p>I</p> <p>QTY: 2</p>  <p>Turnbuckle Gate Tension Assembly SKU: DE8464</p>	<p>J</p> <p>QTY: 2</p>  <p>Male Hinge Black Galvanized Steel 1 3/8" SKU: DE8208</p>	<p>K</p> <p>QTY: 2</p>  <p>Monofilament Connector Clip SKU: DE2830</p>	<p>L</p> <p>QTY: 1</p>  <p>Kennel Gate Latch Assembly SKU: DE8250</p>
<p>M</p> <p>QTY: 4</p>  <p>Carriage Bolt w/Washer & Nut Hot Dip Galvanized - 5/16" x 2" SKU: DE8044</p>	<p>N</p> <p>QTY: 36</p>  <p>Self-Tapping Screw 3/4" SKU: DE9978-1</p>	<p>O</p> <p>QTY: 1 - 50pk</p>  <p>8" High Strength Nylon Self-Locking Ties – 50pk SKU: DE2853</p>	<p>Recommended Tools (not included)</p> <p>Power Drill with 5/16" Drill Bit</p> <p>Socket Wrench 5/16" or Adjustable wrenches</p> <p>Sledgehammer or Earth Auger/Digging Bar</p> <p>Tape Measure</p> <p>Level</p>

Pipe Part List for 6' Outdoor Cat Fence Gate

	6'H x 3' W			6'H x 4' W			6'H x 5' W		
	Qty	Pipe Measurement	SKU	Qty	Pipe Measurement	SKU	Qty	Pipe Measurement	SKU
Line Posts (A)	2	1 3/8" x 73" Swedge End	DE8400	2	1 3/8" x 73" Swedge End	DE8400	2	1 3/8" x 73" Swedge End	DE8400
Horizontal Pipe for Gate Door (B)	2	1 3/8" x 33"	DE8352-033	2	1 3/8" x 45"	DE8352-045	2	1 3/8" x 57"	DE8352-057
Vertical Pipe for Gate Door (C)	2	1 3/8" x 58"	DE9553-058	2	1 3/8" x 58"	DE9553-058	2	1 3/8" x 58"	DE9553-058
Spreader Bars (D)	2	1 3/8" x 36"	DE8353-036	2	1 3/8" x 48"	DE8353-048	2	1 3/8" x 60"	DE8352-060
	6' H x 6' W			6' H x 7' W					
	Qty	Pipe Measurement	SKU	Qty	Pipe Measurement	SKU			
Line Posts (A)	2	1 3/8" x 73" Swedge End	DE8400	2	1 3/8" x 73" Swedge End	DE8400			
Horizontal Pipe for Gate Door (B)	2	1 3/8" x 69"	DE8352-069	2	1 3/8" x 81"	DE8352-069			
Vertical Pipe for Gate Door (C)	2	1 3/8" x 58"	DE9553-058	2	1 3/8" x 58"	DE9553-058			
Spreader Bars (D)	2	1 3/8" x 72"	DE8352-072	2	1 3/8" x 84"	DE8353-084			

Pipe Part List for 7.5' Outdoor Cat Fence Gate

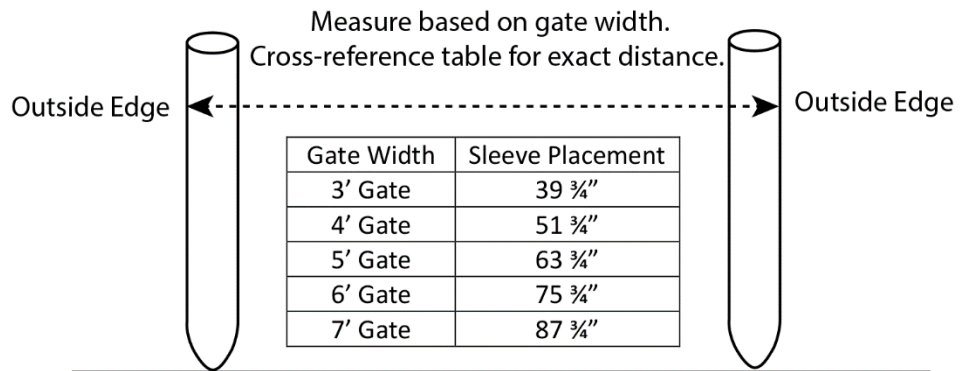
	7.5'H x 3' W			7.5'H x 4' W			7.5'H x 5' W		
	Qty	Pipe Measurement	SKU	Qty	Pipe Measurement	SKU	Qty	Pipe Measurement	SKU
Line Posts (A)	2	1 3/8" x 92" Swedge End	DE9564-092SE	2	1 3/8" x 92" Swedge End	DE9564-092SE	2	1 3/8" x 92" Swedge End	DE9564-092SE
Horizontal Pipe for Gate Door (B)	2	1 3/8" x 33"	DE8352-033	2	1 3/8" x 45"	DE8352-045	2	1 3/8" x 57"	DE8352-057
Vertical Pipe for Gate Door (C)	2	1 3/8" x 71"	DE9553-071	2	1 3/8" x 71"	DE9553-071	2	1 3/8" x 71"	DE9553-071
Spreader Bars (D)	2	1 3/8" x 36"	DE8353-036	2	1 3/8" x 48"	DE8353-048	2	1 3/8" x 60"	DE8352-060
	7.5' H x 6' W			7.5' H x 7' W					
	Qty	Pipe Measurement	SKU	Qty	Pipe Measurement	SKU			
Line Posts (A)	2	1 3/8" x 92" Swedge End	DE9564-092SE	2	1 3/8" x 92" Swedge End	DE9564-092SE			
Horizontal Pipe for Gate Door (B)	2	1 3/8" x 69"	DE8352-069	2	1 3/8" x 81"	DE8352-069			
Vertical Pipe for Gate Door (C)	2	1 3/8" x 71"	DE9553-071	2	1 3/8" x 71"	DE9553-071			
Spreader Bars (D)	2	1 3/8" x 72"	DE8352-072	2	1 3/8" x 84"	DE8353-084			

Outdoor Cat Fence Gate Installation Instructions

1. Using the table below, measure out the respective distance, matching your gate width, from the **OUTSIDE EDGE** of one **GROUND SLEEVE (E)** to the **OUTSIDE EDGE** of your second **GROUND SLEEVE (E)**.

Gate Width	Sleeve Placement
3' Gate	39 ¾"
4' Gate	51 ¾"
5' Gate	63 ¾"
6' Gate	75 ¾"
7' Gate	87 ¾"

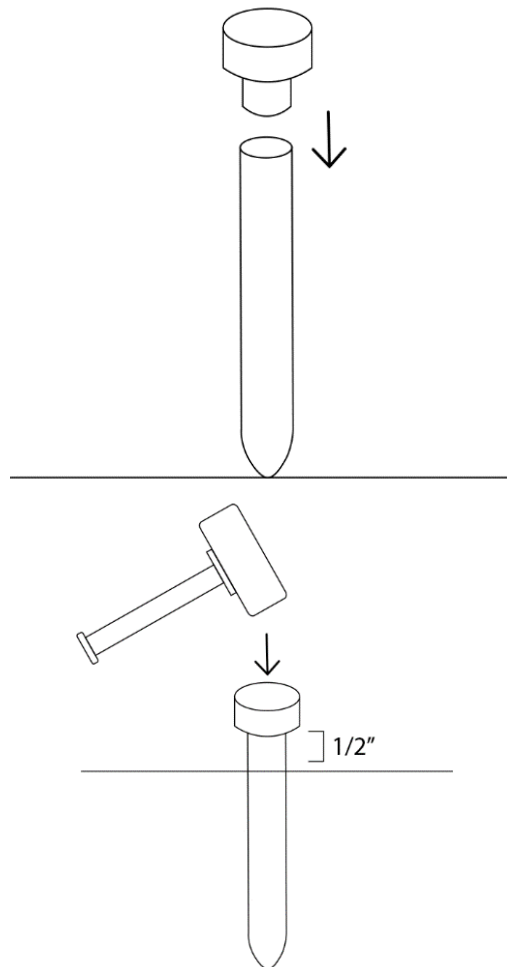
1.



2. Using a **DRIVE CAP (Sold Separately; SKU: DE2810)** and a sledgehammer, drive the **GROUND SLEEVES (F)** into the ground leaving ½" above ground to keep out debris and allow for securing the post. Care should be taken to ensure that the sleeves are as straight as possible.

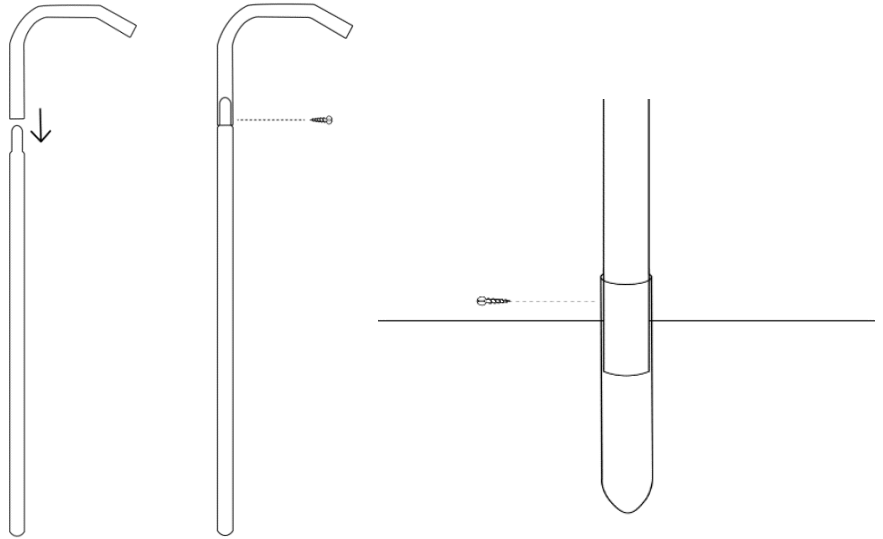
Note: On hard ground it may be necessary to use an **EARTH AUGER (Sold Separately; SKU: DE8188)** or **DIGGING BAR** to make a hole before driving the ground sleeves in.

2.



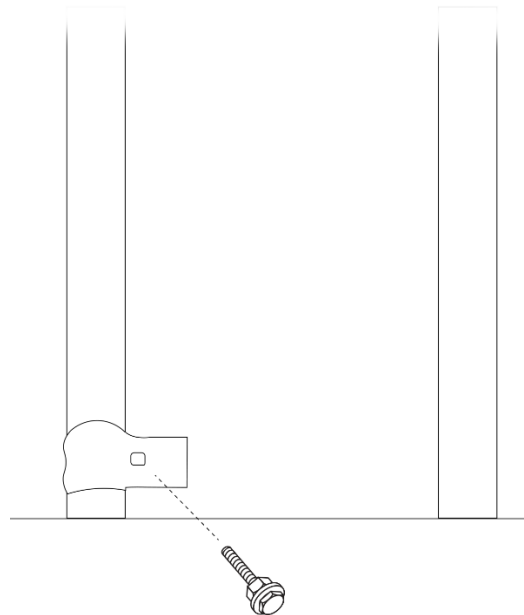
3. Place each **LINE POST (A)** flat on the ground, insert the **EXTENDER (E)**, and join the two with a **SELF-TAPPING SCREW (N)**. Slide the **POST (A)** into the **SLEEVES (F)** so that the **EXTENDER (E)** faces the inside of the enclosure. Lock posts into place by screwing through the sleeve and into the post using a **SELF-TAPPING SCREW (N)**.

3.

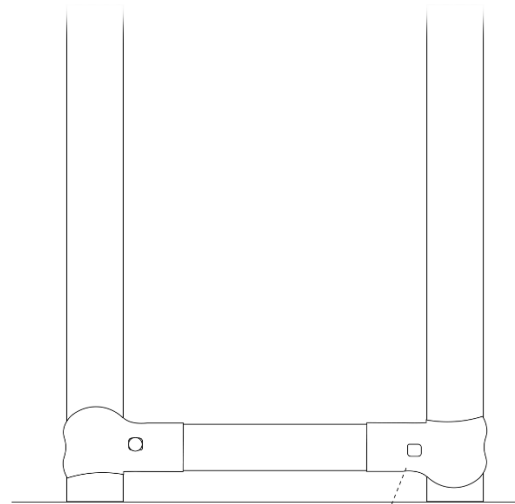
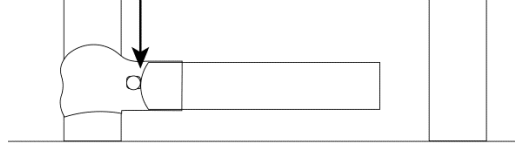


4. Place **END CLAMP (H)** at the **bottom** of one of your **LINE POSTS (A)** and insert **CARRIAGE BOLT (M)** into the hole of the **END CLAMP (H)**. Insert one end of a **SPREADER BAR (D)** into the **END CLAMP (H)**, making sure that the end of the **SPREADER BAR (D)** is resting against the **CARRIAGE BOLT (M)**. This will ensure a proper fit. Repeat the process for the other side of the **SPREADER BAR (D)**.

4.

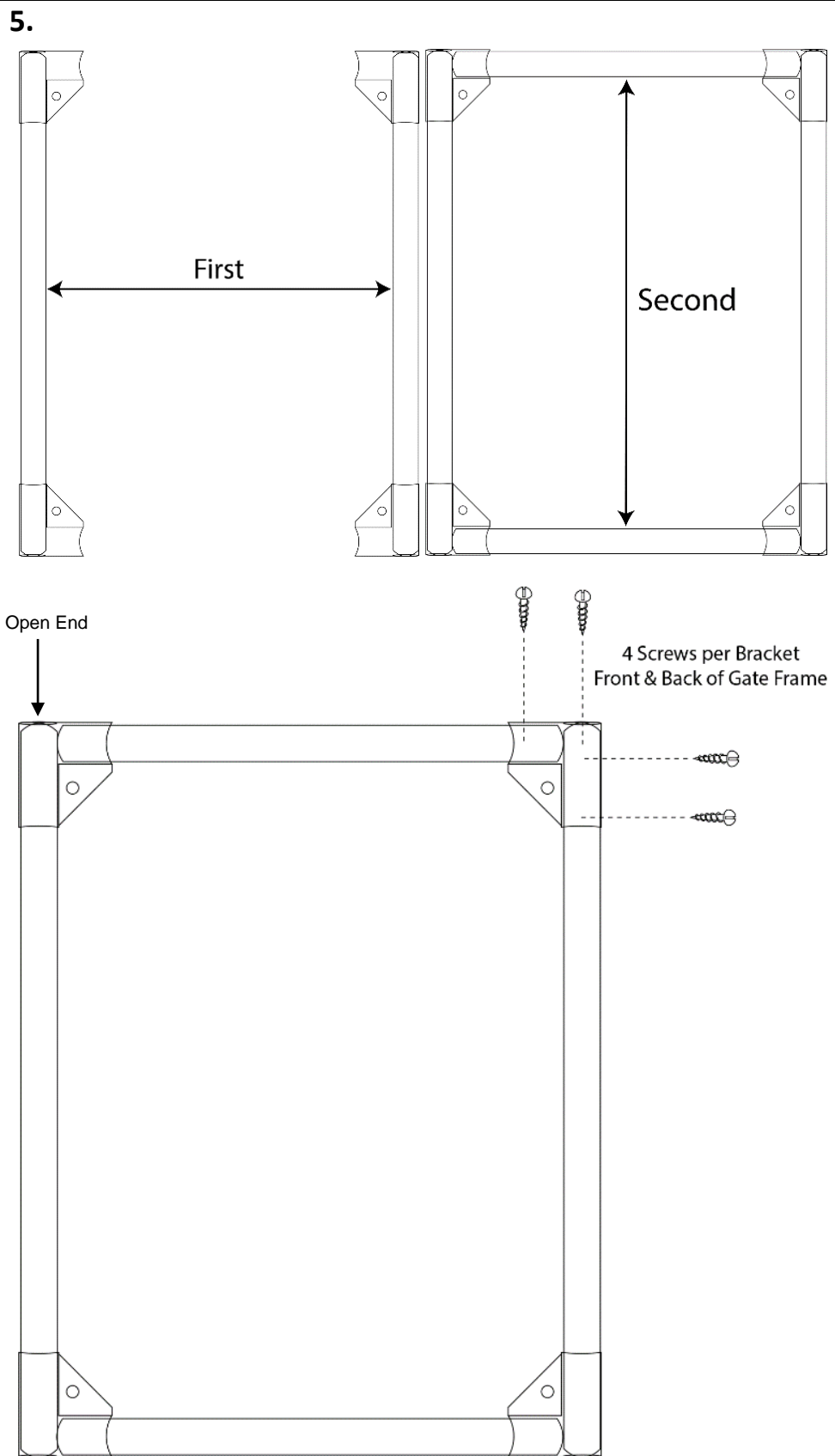


Rest Against Bolt



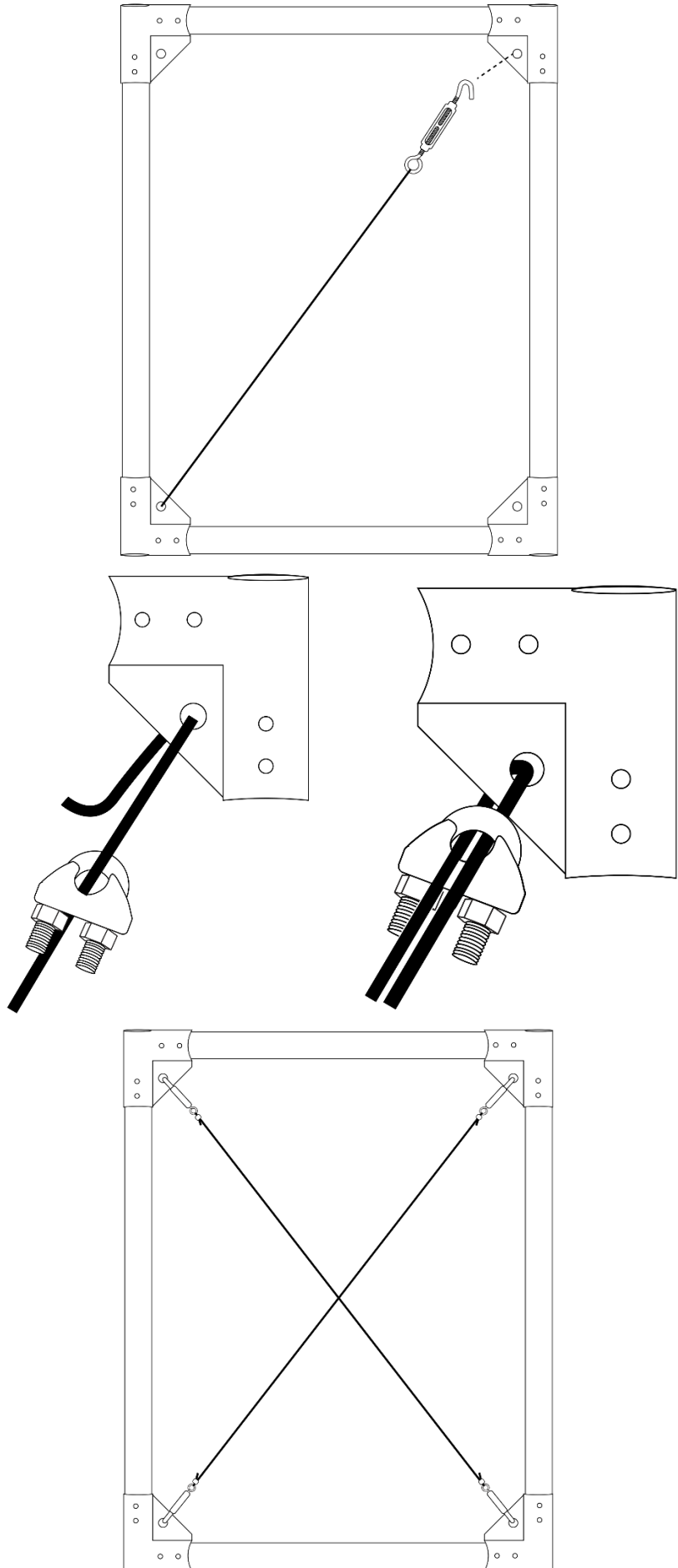
5. Insert **VERTICAL GATE DOOR POST (C)** into **CORNER ELBOW (G)**. Then slide in the **HORIZONTAL GATE DOOR POST (B)** into the **CORNER ELBOW (G)** so that it presses tightly against the **VERTICAL POST (C)**. Secure the **POSTS** inside the **CORNER ELBOWS (G)** using 32 **SELF-TAPPING SCREWS (N)**.

Note: It is important that the vertical post is inserted into the corner elbow first. If properly assembled, you should be able to look all the way down the vertical pipe. Take care to ensure all the posts are all the way in the corner bracket or the gate door will not fit properly.



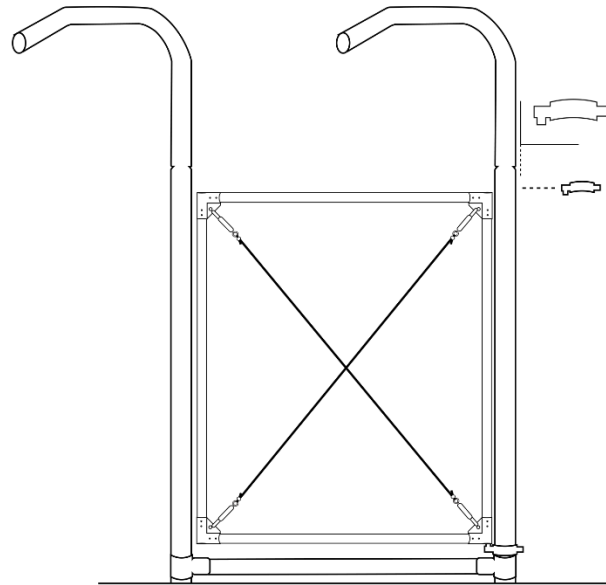
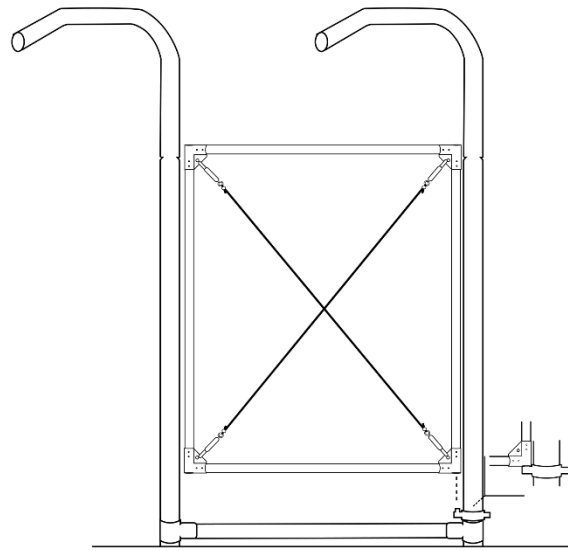
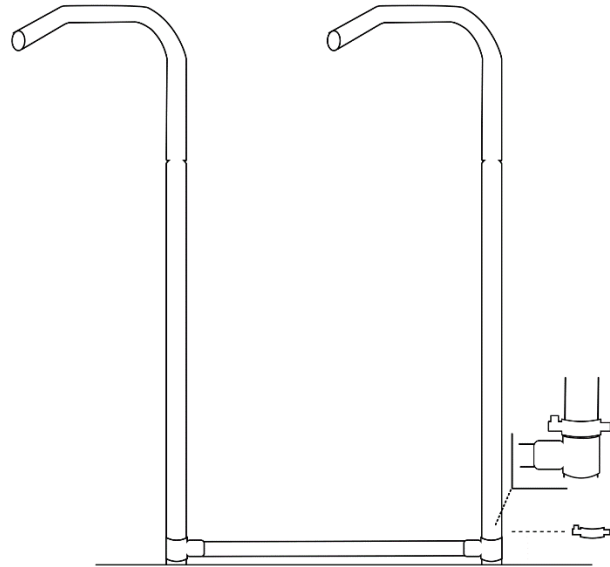
6. Open the **TURNBUCKLE (I)** by twisting both ends. Place the hook end of one **TURNBUCKLE (I)** through the hole in one top **CORNER ELBOW (G)** and stretch the cable diagonally to the hole in the bottom **CORNER ELBOW (G)**. Pass the cable through the **CONNECTION CLIP (K)** and then through the hole in the **CORNER ELBOW (G)**. Pass the end of the cable through the **CONNECTION CLIP (K)** again. Position the **CONNECTION CLIP (K)** close to the **CORNER ELBOW (G)** and tighten using the small nuts. Repeat on the opposite side creating an "X" across the gate. Use the **TURNBUCKLE (I)** to tighten the cable.

6.



7. Set one **MALE HINGE (J)** right above the bottom **SPREADER BAR (D)**, facing upwards, on a **LINE POST (A)**. Set the **CORNER ELBOW (G)** of the gate door on the bottom hinge and tighten the hinge bolt. Place another **MALE HINGE (J)**, facing downwards, on the same **LINE POST (A)**, sliding into the top **CORNER ELBOW (G)** of the gate door, then the tighten hinge bolt.

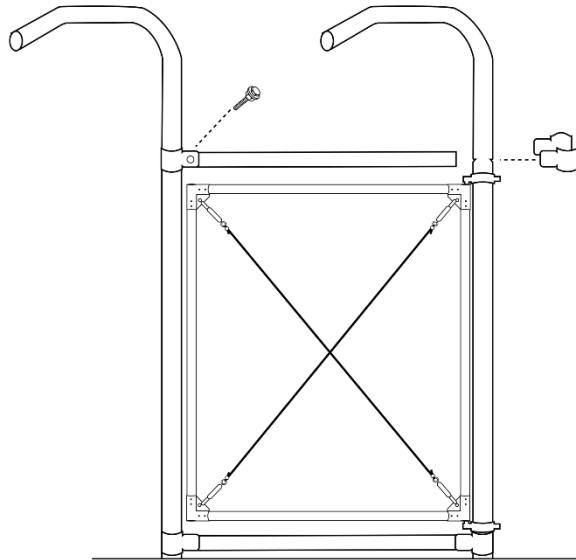
7.



8. Attach top **SPREADER BAR (D)** directly above the gate door using the **END CLAMPS (H)** on either side of the gate frame. Fasten the **END CLAMPS (H)** using the **CARRIAGE BOLT (M)**.

Note: This is the same process as described in **STEP 4**.

8.



9. Attach the **GATE LATCH (L)** to the **GATE DOOR** at a comfortable and desired height. Cover the entire **GATE DOOR** with your fencing mesh (**NOT INCLUDED**) and fasten the mesh to the **GATE DOOR** using **SELF-LOCKING TIES (O)**. Trim excess as needed.

Note: You do not need a tie for every square on the mesh. We recommend 1 tie for every 1' along the pipe of the gate door.

9.

