

NMS-3 SERIES

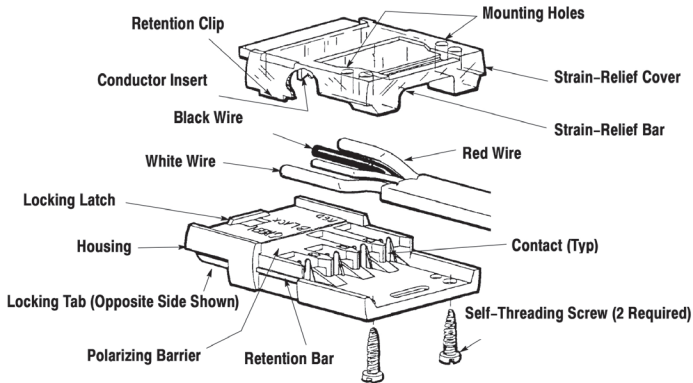
For splicing and tapping non-metallic (NM) cable.

GENERAL INFORMATION:

- For use on 12 or 14 AWG (300v) 2 Wire NM cable with ground.
- Eliminates junction boxes
- Contents complete one splice
- Fast and simple to install

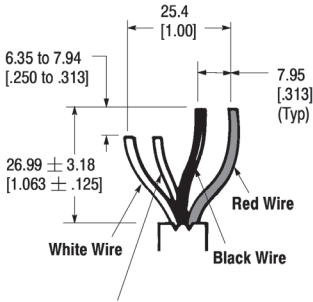
ASSEMBLY INSTRUCTIONS: See figures 1-3 for assembly procedure. **1.** Cut and strip outer cable jacket to match the markings indicated on the connector housing. (Fig.1) **2.** Align wires with markings on the housing. Place the wires on the contacts. Do not push the wires into slots. Wire ends must extend .250 in. (.635mm) min. **3.** Hold wires in place and cover firmly. Place pliers so the jaw flats are parallel and press evenly to close. Grip the housing and cover firmly. Place pliers so that jaw flats are parallel and press evenly to close. Squeeze the plier handles until the two pieces snap into place. Install the two screws to lock closed. (Fig.2) **4.** Orient the splices so the mating ends align. Slide the splices into each other until the locking latches engage. (Fig.3) Coupled splices can be mounted to a stud or joist with four 4d common nails.

General Component Assembly



ATTENTION: Improperly installed electrical wiring can be dangerous and cause electrical fires. Consult local building code before doing any electrical work. Do not re-terminate a splice if wire was previously used. Keep out of the reach of children. Safety First!

Figure 1
mm [inches]



Ground Wire (Green Contact Position on Housing)

Note: This figure is actual size, but printing may cause variations.

Figure 2

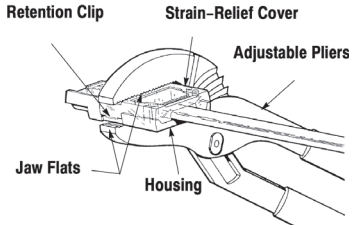


Figure 3

