

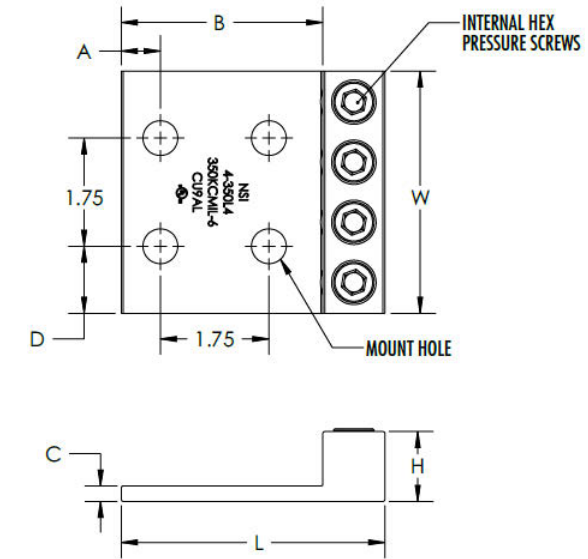
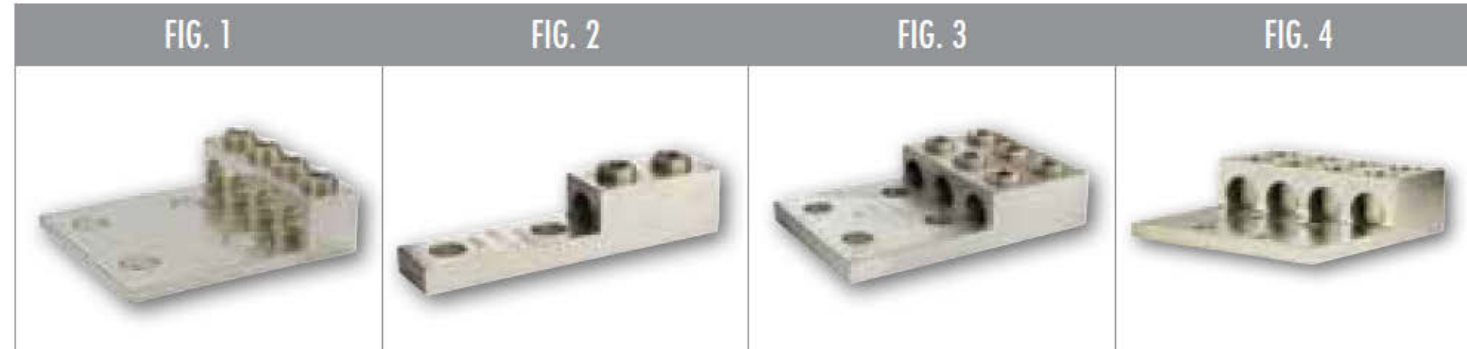
FEATURES:

1. Large size set-screw connectors with multiple mounting, NEMA spaced holes for a secure, turn-prevent connection.
2. Made of 6061T-6 aluminum alloy.
3. Tin plated for low contact resistance.
4. For use with copper or aluminum conductors.
5. All hole spacing is NEMA standard of 1.75".



PROGRAM:	SOLIDWORKS
UPDATED:	09/2024
SALES REV:	A
SIZE:	B (11x17)

MECHANICAL CONNECTORS: L4, LL4, LL2 SERIES ALUMINUM, DUAL RATED, PANELBOARD LUGS



CAT. NO.	FIG. NO.	WIRE RANGE	MTG. BOLT SIZE (IN.)	MAX TORQUE VALUE (IN./LBS.)	HEX WRENCH SIZE (IN.)	MTG. HOLE DIA. (E) (IN.)	LENGTH (L) (IN.)	WIDTH (W) (IN.)	HEIGHT (H) (IN.)	END OF CONN. TO CTR. HOLE (A) (IN.)	TANG LENGTH (B) (IN.)	TANG THICKNESS (C) (IN.)	STD. CTN. QTY.
4-250L4	1	250 MCM-6 AWG	1/2	330	5/16	0.560	3.880	3.300	1.020	0.560	3.010	0.220	3
4-350L4	1	350 MCM-6 AWG	1/2	400	5/16	0.560	4.250	3.920	1.130	0.630	3.250	0.250	2
4-600L4	1	600 MCM-2 AWG	1/2	550	3/8	0.560	4.650	5.000	1.510	0.630	3.400	0.380	2
600LL2	2	600 MCM-2 AWG	1/2	550	3/8	0.560	5.500	1.380	1.510	0.630	3.250	0.380	4
3-600LL4	3	600 MCM-2 AWG	1/2	550	3/8	0.560	5.500	3.930	1.510	0.630	3.250	0.380	2
4-600LL4	4	600 MCM-2 AWG	1/2	550	3/8	0.560	5.500	5.000	1.510	0.630	3.250	0.380	2
4-800L4	1	800-350 MCM	1/2	550	1/2	0.560	4.750	5.380	1.690	0.630	3.380	0.440	2
800LL2	2	800-350 MCM	1/2	550	1/2	0.560	5.750	1.440	1.690	0.630	3.440	0.440	4
3-800LL4	3	800-350 MCM	1/2	550	1/2	0.560	5.750	4.060	1.690	0.630	3.380	0.440	2
4-800LL4	4	800-350 MCM	1/2	550	1/2	0.560	5.750	5.380	1.690	0.630	3.440	0.440	2
4-1000L4	1	1000-500 MCM	1/2	600	9/16	0.560	4.940	6.190	1.880	0.630	3.440	0.440	2
1000LL2	2	1000-500 MCM	1/2	600	9/16	0.560	6.190	1.690	1.880	0.630	3.630	0.440	4
3-1000LL4	3	1000-500 MCM	1/2	600	9/16	0.560	6.190	4.690	1.880	0.630	3.440	0.440	2
4-1000LL4	4	1000-500 MCM	1/2	600	9/16	0.560	6.180	6.190	1.880	0.630	3.630	0.440	2
1500LL2 (Not UL/CSA)	2	1500-1000 MCM	1/2	-	9/16	0.560	6.625	2.000	1.975	0.650	3.175	0.750	4

SPECIFICATIONS:

- UL Listed for Wire Connector E155027.
- UL486A/B Listed. AL9CU
- Temperature Rating: 90 °C.
- Voltage: 600V max. (2000V ma. per UL486B).

