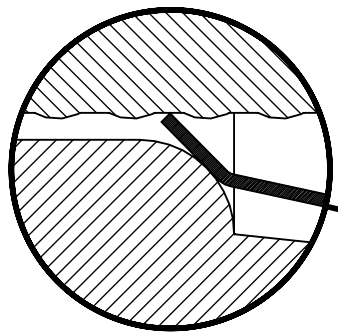
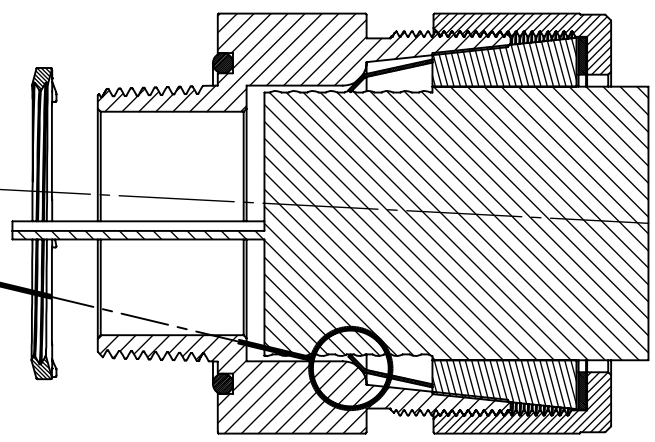


LOCK NUT  
OPTIONAL  
ADD: L

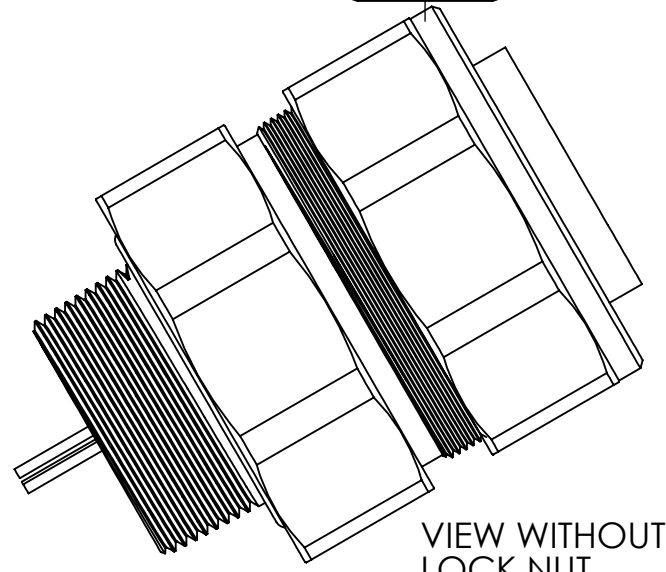
2-1/2 N.P.T.



DETAIL B  
SCALE 2 : 1



SECTION A-A



VIEW WITHOUT  
LOCK NUT



REV.	DATE	CHANGE	UNLESS OTHERWISE SPECIFIED:	NAME	DATE	<b>REMKE</b> <b>REMKE INDUSTRIES</b> 310 CHADDICK DR, WHEELING, IL. 60090	
A	7/30/14	RELEASED DRAWING	DIMENSIONS ARE IN INCHES TOLERANCES: FRACTIONAL ± 1/64 ANGULAR: MACH ± 1° BEND ± 1° ONE PLACE DECIMAL ± .015 TWO PLACE DECIMAL ± .010 THREE PLACE DECIMAL ± .005	DRAWN JCN	7/14	TITLE:	
			INTERPRET GEOMETRIC TOLERANCING PER:	CHECKED		SIZE DWG. NO.	
			MATERIAL <b>STAINLESS</b>	ENG APPR.		<b>A RTKSS-250-19</b>	
			FINISH	MFG APPR.		SCALE: 1:2	
			DO NOT SCALE DRAWING	Q.A.		SHEET 1 OF 1	
				<b>PROPRIETARY AND CONFIDENTIAL</b> THE INFORMATION CONTAINED IN THIS DRAWING IS THE SOLE PROPERTY OF REMKE INDUSTRIES. ANY REPRODUCTION IN PART OR AS A WHOLE WITHOUT THE WRITTEN PERMISSION OF REMKE INDUSTRIES IS PROHIBITED.			