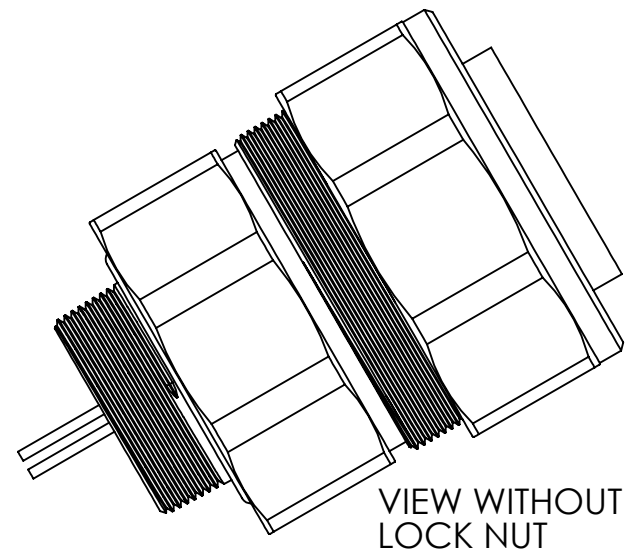
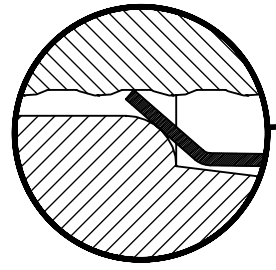
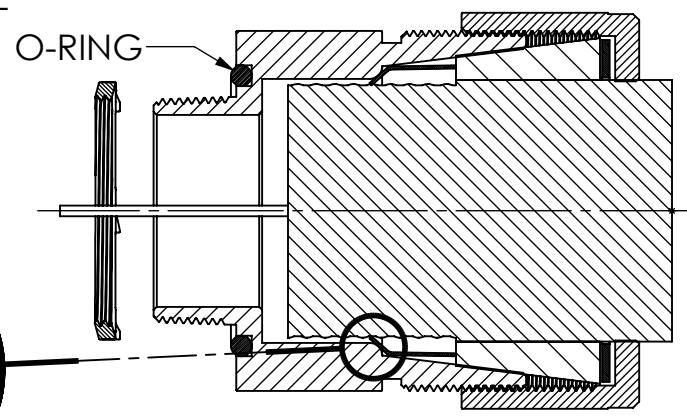


LOCK NUT  
OPTIONAL  
ADD: L



REV.	DATE	CHANGE	UNLESS OTHERWISE SPECIFIED:	DRAWN	NAME	DATE	<b>REMKE</b> <b>REMKE INDUSTRIES</b> 310 CHADDICK DR, WHEELING, IL. 60090 TITLE:
A	7/30/14	DRAWING RELEASED	DIMENSIONS ARE IN INCHES TOLERANCES: FRACTIONAL ± 1/64 ANGULAR: MACH ± 1° BEND ± 1° ONE PLACE DECIMAL ± .015 TWO PLACE DECIMAL ± .010 THREE PLACE DECIMAL ± .005 INTERPRET GEOMETRIC TOLERANCING PER: MATERIAL <b>STAINLESS</b> FINISH DO NOT SCALE DRAWING	CHECKED	JCN	7/14	
				ENG APPR.			SIZE DWG. NO. <b>A RTKSS-200-18</b> SCALE: 1:2 SHEET 1 OF 1
				MFG APPR.			
				Q.A.			
				<b>PROPRIETARY AND CONFIDENTIAL</b> THE INFORMATION CONTAINED IN THIS DRAWING IS THE SOLE PROPERTY OF REMKE INDUSTRIES. ANY REPRODUCTION IN PART OR AS A WHOLE WITHOUT THE WRITTEN PERMISSION OF REMKE INDUSTRIES IS PROHIBITED.			