



Charlie 2.0 (Part # FCC2TBBKF)

ASSEMBLY INSTRUCTIONS

OPERATING INSTRUCTIONS



P: 800-298-4351

E: info@raproducts.com

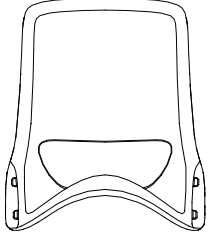

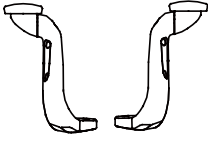
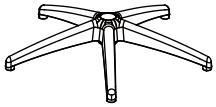
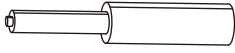

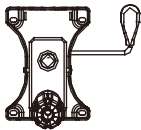
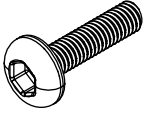
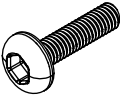
W: raproducts.com

ASSEMBLY INSTRUCTIONS

Charlie 2.0

Remove all items from the carton. Verify all components before assembly.

PART LIST

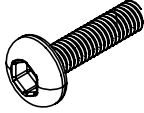

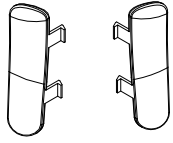

key	Description	Part	Qty.	Spare
A	Backrest		1	
B	Seat		1	
C	Armrests (1 left & 1 right armrest)		2	
D	Star Base		1	
E	Seat Post(Cylinder)		1	
F	Caster		5	
G	Mechanism		1	
H	Armrest Bolts (M6×40mm Blue)		6	1
I	Back Bolts (M6×20mm Blue)		6	1

• Please tighten your chairs hardware every six months.

ASSEMBLY INSTRUCTIONS

Charlie 2.0

Remove all items from the carton. Verify all components before assembly.

Part List				
Key	Description	Part	Qty.	Spare
J	Mechanism Bolts (M6×25mm,Blue)		2	1
K	Washers for Bolts (Ø8*17*2.0mm)		6	1
L	Small cover for armrest		2	
M	Allen Wrench 5mm		1	

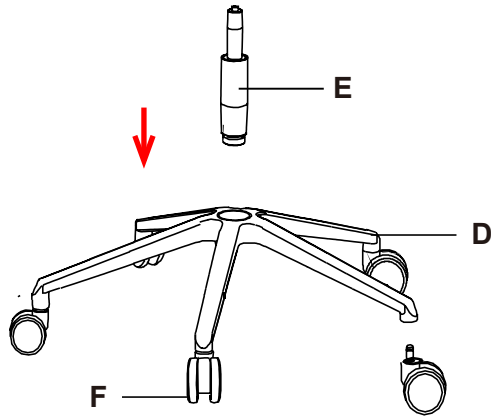
• Please tighten your chairs hardware every six months.

ASSEMBLY INSTRUCTIONS

Charlie 2.0

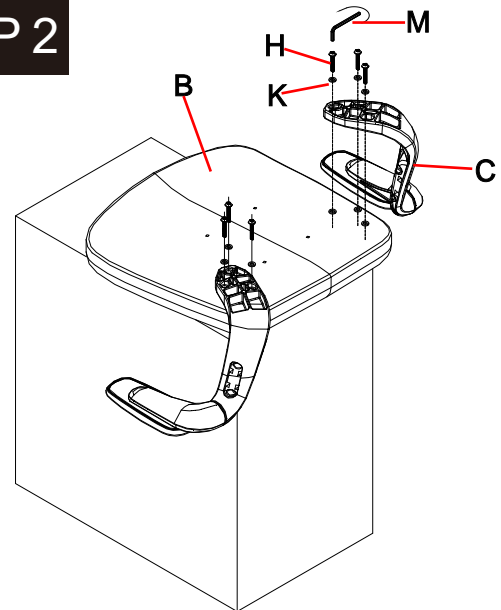
Remove all items from the carton. Verify all components before assembly.

STEP 1



Press the Casters (F) into the holes at the end of each leg of the Base (D). Inset Seat Post (E) into the center hole of the Base.

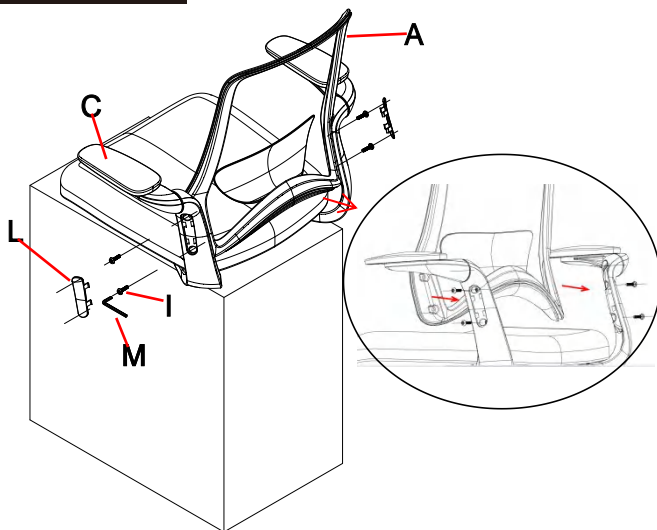
STEP 2



Don't fully tighten the screws in this step

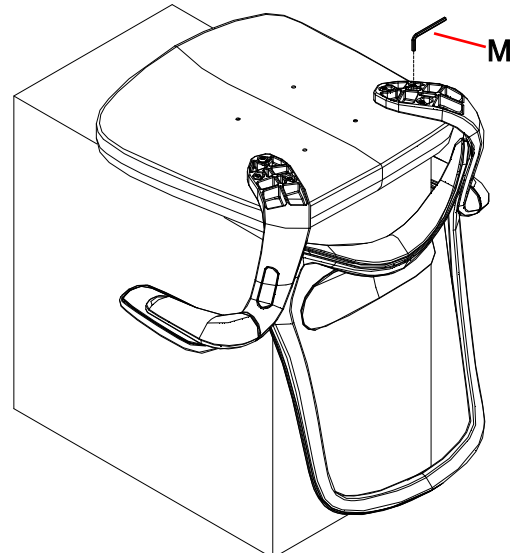
Attach each Armrest (C) to the Seat Cushion (B), Using 3 Armrest Bolts (H) and Washers (K) for each arm. Tighten with enclosed Allen Wrench (M).

STEP 3



Turn The assembled seat cushion face up, Assemble the Backrest (A) to the Armrest (C), Using 4 Back Bolts (I), Tighten the bolts securely with the Allen Wrench (M). Assembled the small cover (L) to the Armrest.

STEP 4



After the backrest assembly is completed, Tighten the Armrest bolts securely with the Allen Wrench (M).

PREVENTIVE MAINTENANCE AND WARNING !

- USE THIS PRODUCT ONLY FOR SEATING ONE PERSON AT A TIME.
- DO NOT USE THIS CHAIR AS A STEP STOOL / LADDER.
- DO NOT SIT ON ANY PART OF THE CHAIR EXCEPT THE SEAT.
- DO NOT USE CHAIR ON UNEVEN FLOOR SURFACES.
- DO NOT USE CHAIR UNLESS ALL BOLTS, SCREWS AND KNOBS ARE TIGHTENED.
- EVERY SIX MONTHS, PLEASE MAKE SURE ALL BOLTS, SCREWS AND KNOBS ARE FULLY TIGHTENED TO ENSURE STABILITY.

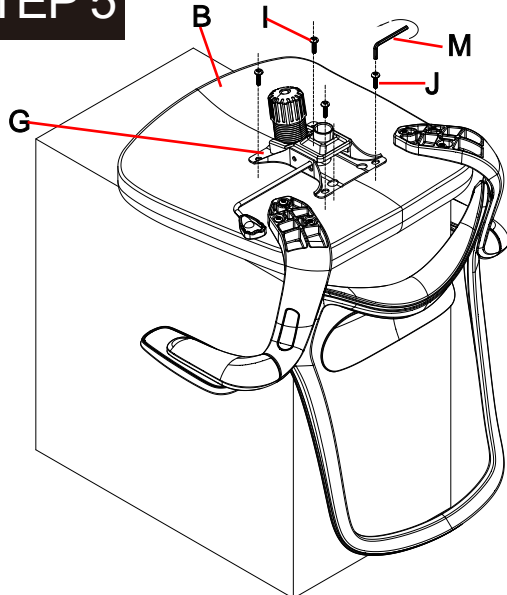
- IF ANY PARTS ARE MISSING, BROKEN, DAMAGED OR WORN, STOP USE OF THE PRODUCT UNTIL REPAIR ARE MADE USING FACTORY AUTHORIZED PARTS.
- DISPOSE OF PACKAGING PROPERLY. PLASTIC BAG IS NOT A TOY. DO NOT USE PLASTIC BAG AS HEAD COVERING – IT MAY CAUSE SUFFOCATION.
- FAILURE TO FOLLOW THESE WARNINGS COULD RESULT IN SERIOUS INJURY.
- NOTE: SOME SCREWS MAY BE PREASSEMBLED. IF PREASSEMBLED, IGNORE ASSEMBLY INSTRUCTIONS.

ASSEMBLY INSTRUCTIONS

Charlie 2.0

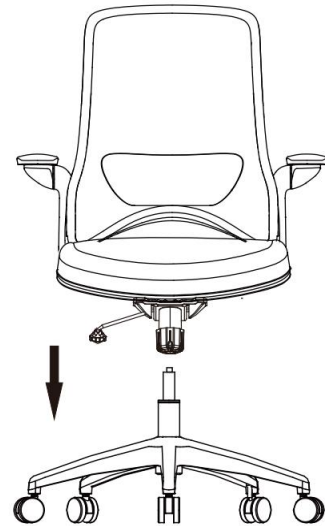
Remove all items from the carton. Verify all components before assembly.

STEP 5



Use the correct Mechanism Bolts (J) and Back Bolts (I), Assemble the Mechanism (G) to the Seat Cushion (B), using 2 Mechanism Bolts (J) and 2 Back Bolts (I), Tighten the bolts securely with the Allen Wrench (M).

STEP 6



Now turn the assembled seat upright and locate the center hole of the Mechanism over the Seat Post. Push down firmly until the connection is secure.

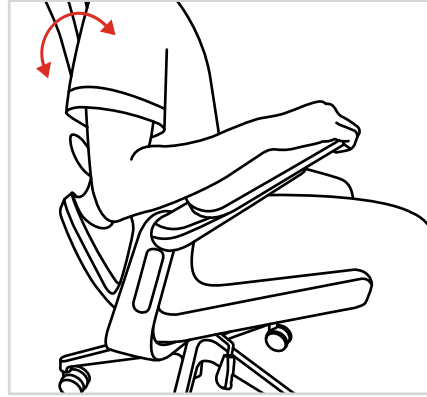
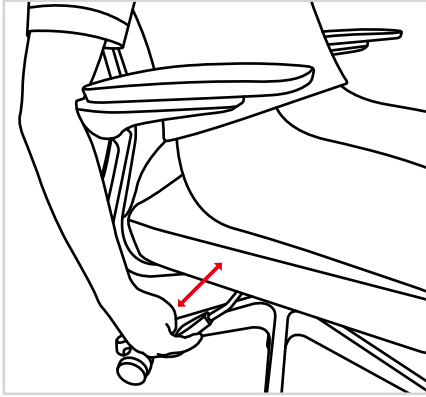
PREVENTIVE MAINTENANCE AND WARNING !

- USE THIS PRODUCT ONLY FOR SEATING ONE PERSON AT A TIME.
- DO NOT USE THIS CHAIR AS A STEP STOOL / LADDER.
- DO NOT SIT ON ANY PART OF THE CHAIR EXCEPT THE SEAT.
- DO NOT USE CHAIR ON UNEVEN FLOOR SURFACES.
- DO NOT USE CHAIR UNLESS ALL BOLTS, SCREWS AND KNOBS ARE TIGHTENED.
- **EVERY SIX MONTHS , PLEASE MAKE SURE ALL BOLTS , SCREWS AND KNOBS ARE FULLY TIGHTENED TO ENSURE STABILITY.**
- IF ANY PARTS ARE MISSING, BROKEN, DAMAGED OR WORN, STOP USE OF THE PRODUCT UNTIL REPAIR ARE MADE USING FACTORY AUTHORIZED PARTS.
- DISPOSE OF PACKAGING PROPERLY. PLASTIC BAG IS NOT A TOY. DO NOT USE PLASTIC BAG AS HEAD COVERING – IT MAY CAUSE SUFFOCATION.
- FAILURE TO FOLLOW THESE WARNINGS COULD RESULT IN SERIOUS INJURY.
- NOTE: SOME SCREWE MAY BE PREASSEMBLED. IF PREASSEMBLED, IGNORE ASSEMBLY INSTRUCTIONS.

OPERATING INSTURCTION

Charlie 2.0

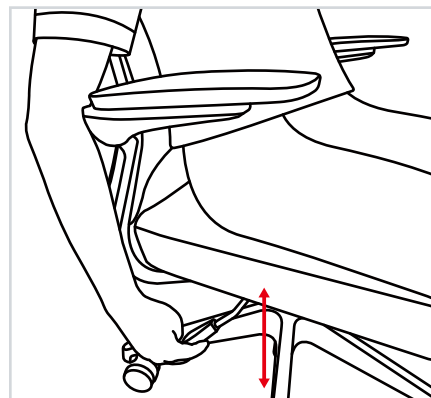
A BACKREST TILT ADJUSTMENT



A BACKRESTT TILT ADJUSTMENT

While seated, Pull out the single control lever then the backrest can be tilted slightly. While pushing in the single control lever the backrest can be locked in the original position. The tilt angle is approximately 23°.

B SEAT HEIGHT ADJUSTMENT



C ARMREST ADJUSTMENT



B SEAT HEIGHT ADJUSTMENT

While seated, pull the single control lever upward and hold it while raising or lowering the seat to reach your desired seat height. When the lever is released to its original position, the seat height is locked. The seat height adjustment range is approximately 3.74".

C ARMREST ADJUSTMENT

Armrest can be flipped upwards.