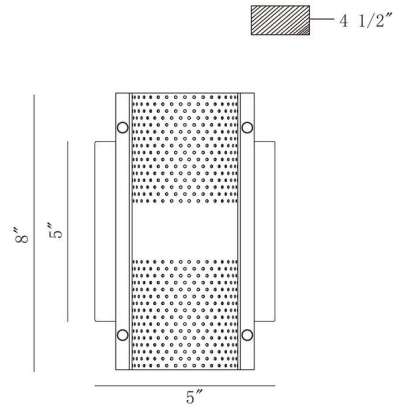


JOB NAME:

DATE:

TYPE:

COMMENTS:



LIGHT INFORMATION

Light Type	Integrated LED
CRI	90
Delivered Lumens	378
Color Temperature	3000K
LED Lifespan (L70)	20000
Number of Lights	2
Light Direction	Ambient
Dimming Method	Triac/Elv
Current Type	DC
Input Voltage	120
Total Wattage	14

DIMENSIONS & WEIGHT

Length (In)	5
Width (In)	4.5
Height (In)	8
Ext (In)	4.5
Weight (Lbs)	3

PRODUCT FINISH

Gold-Black Mix

CERTIFICATIONS & COMPLIANCE



INSTALLATION

Mounting Type	J-Box
Rating	Wet
Hanging Support Type	J-Box