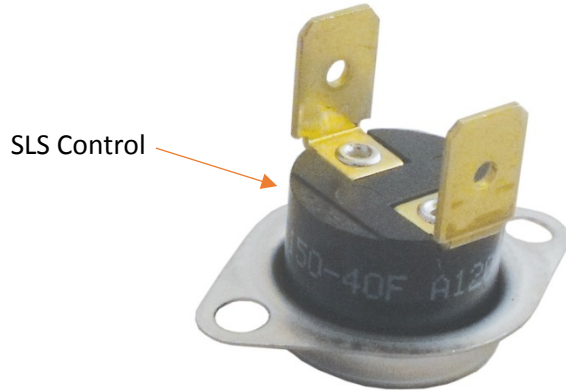
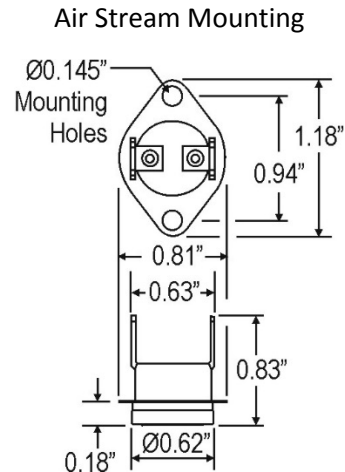


## SLS-Series Automatic Roll-Out Switch

The SLS-Series style temperature controls have a bi-metal disc that senses the temperature and quickly separates the contacts. This results in long life characteristics at loads up to 10 amps at 250 VAC. SLS-Series switches are single pole single throw 36T11 style (1/2") with auto-reset. These switches are designed to open on temperature rise. The SLS-Series roll-out switch activates when the furnace heats to a predetermined high temperature limit. Once the flame roll-out switch has been tripped, the furnace will turn off and remain off until the SLS switch reaches the "Close" temperature.



Part No.	°Diff.	Open °F	Close °F
SLS140	40	140	100
SLS150	40	150	110
SLS160	40	160	120
SLS170	40	170	130
SLS180	40	180	140
SLS200	40	200	160
SLS300	50	300	250



Contact Arrangement	FLA	LRA	Pilot Duty VA	Resistive Amps	Voltage AC
1 & 3 SPST	3	12	125	15	120
1 & 3 SPST	1.5	6	125	10	240

800-333-9125  
SUPCO.COM

