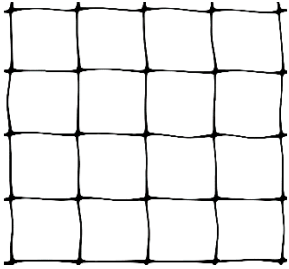

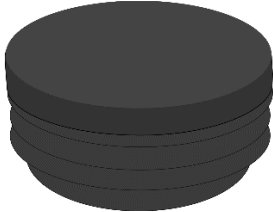

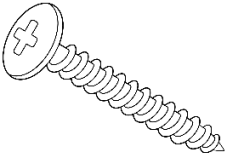
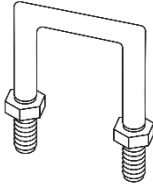
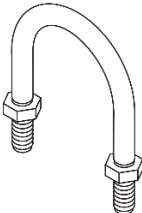


Poly Fence Extension Kit Installation Instructions

HARDWARE PARTS

A QTY: 1 roll per 100 ft  Poly Fence (See below for measurements)	B QTY: 1 pk per 100 ft  8" High Strength Nylon Self-Locking Ties – 100pk SKU: DE2854	C QTY: 12 per 100 ft  Black Vinyl Cap Insert for 1 3/8" Post SKU: DE8088	D QTY: 12 per 100 ft  Fence Extension Post (See below for measurements)
--	---	--	--

Hardware for WOOD/SPLIT RAIL/VINYL	Hardware for DECORATIVE METAL	Hardware for CHAINLINK
---	--------------------------------------	-------------------------------

E QTY: 48 per 100 ft  Truss Head Screw #10 x 1.25"	E QTY: 24 per 100 ft  Square U-Bolt 5/16" x 2" x 3"	E QTY: 24 per 100 ft  U-Bolt Round 5/16" x 2" x 3"
---	--	---

Recommended Tools (not included)

Cutter Puller Tool for Self-Locking Ties, SKU: DE2864

Power Drill with Phillips Bit

Socket Wrench 5/16" or Adjustable wrenches

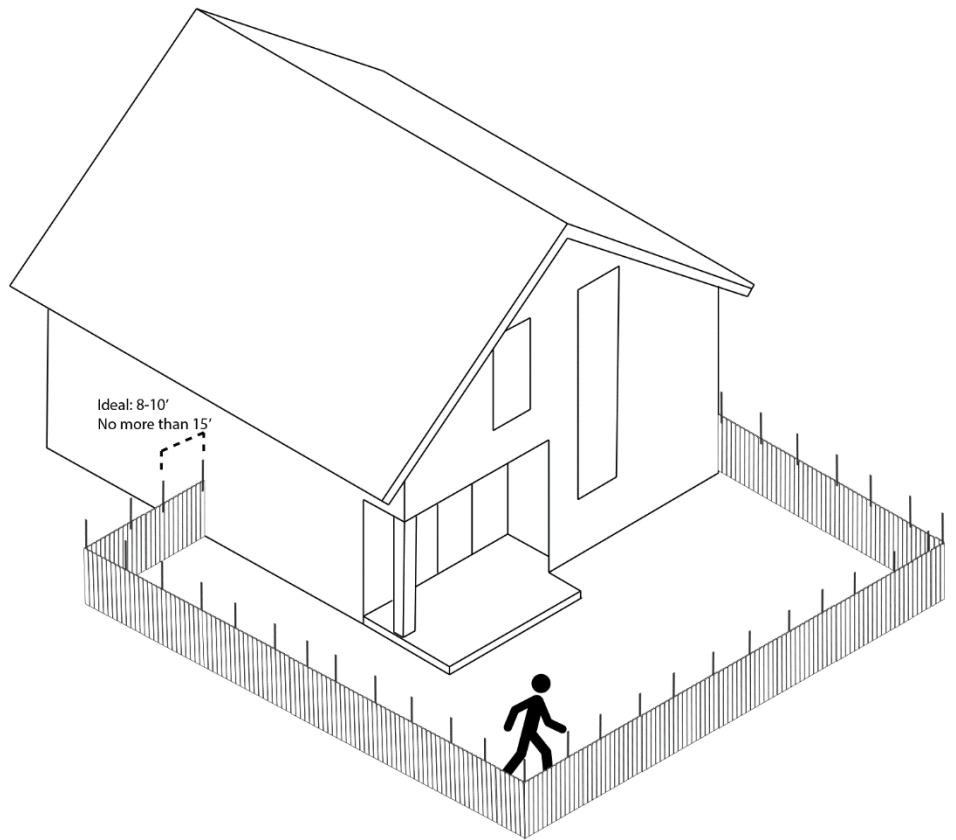
3' Extension Kit				4' Extension Kit		
	Qty	Pipe Measurement	SKU	Qty	Pipe Measurement	SKU
Fence Mesh (A)	1 roll per 100 ft	4' x 100' Heavy Duty Poly Fence	C804100	1 roll per 100 ft	4' x 100' Heavy Duty Poly Fence	C804100
Extension Post (D)	12 per 100 ft	36" Fence Extension Post	DE8164-44	12 per 100 ft	48" Fence Extension Post	DE8164-54

Note: If you selected the optional Gate Kit, you receive two (2) extra **FENCE EXTENSION POST (D)** and corresponding amount of **HARDWARE (E)** based off fence type: eight (8) screws for **WOOD/SPLIT RAIL/VINYL** or four (4) U-bolts for **DECORATIVE METAL/CHAINLINK**.

Poly Fence Extension Kit Installation Instructions

1. Determine the spacing of your **EXTENSION POSTS (D)**. We recommend spacing every 8'-10' apart but no more than 15' apart.

1.

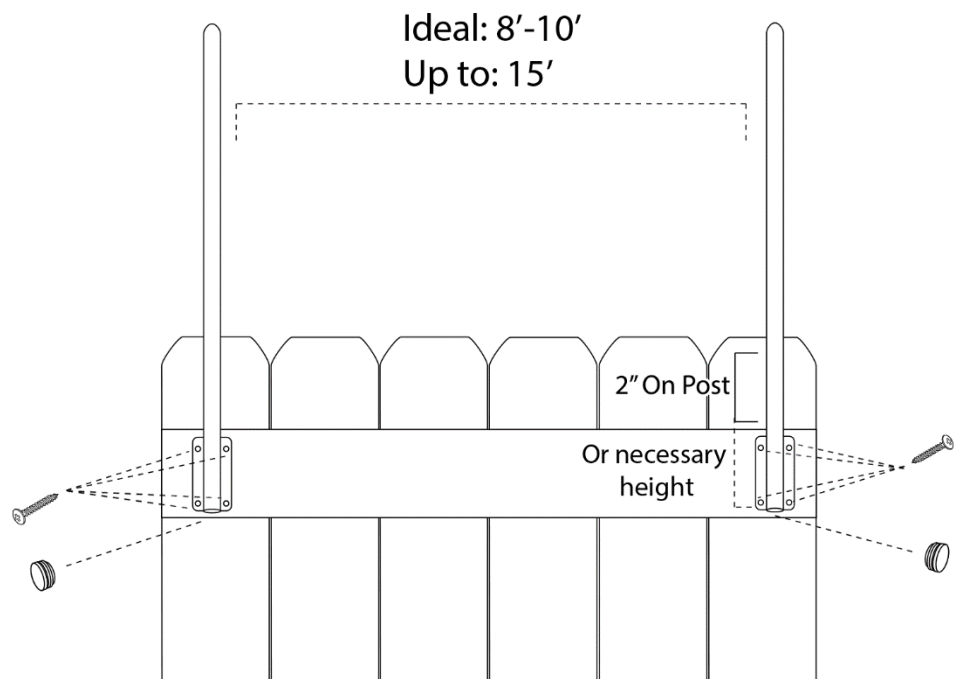


2. On the **INSIDE** of your fence line, attach the **EXTENSION POSTS (D)** to your existing fence posts using the **HARDWARE (E)** designated for your fence type. Mount the plate of the **EXTENSION POST (D)** at least 2" below the top of your existing post. Once attached insert the **VINYL CAP (C)** into the open bottom of extension post.

Note: Hardware will be dependent on which kit you purchased. You can mount the **EXTENSION POST (D)** at different heights to accommodate your specific needs.

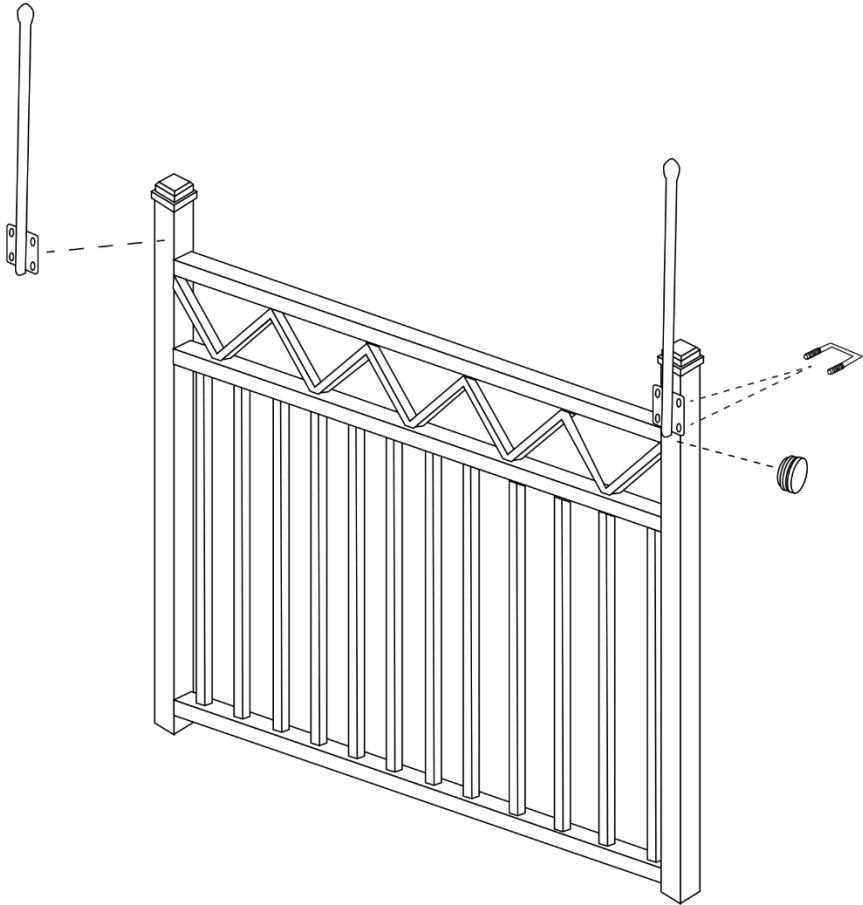
FOR WOOD/SPLIT RAIL/VINYL

2.



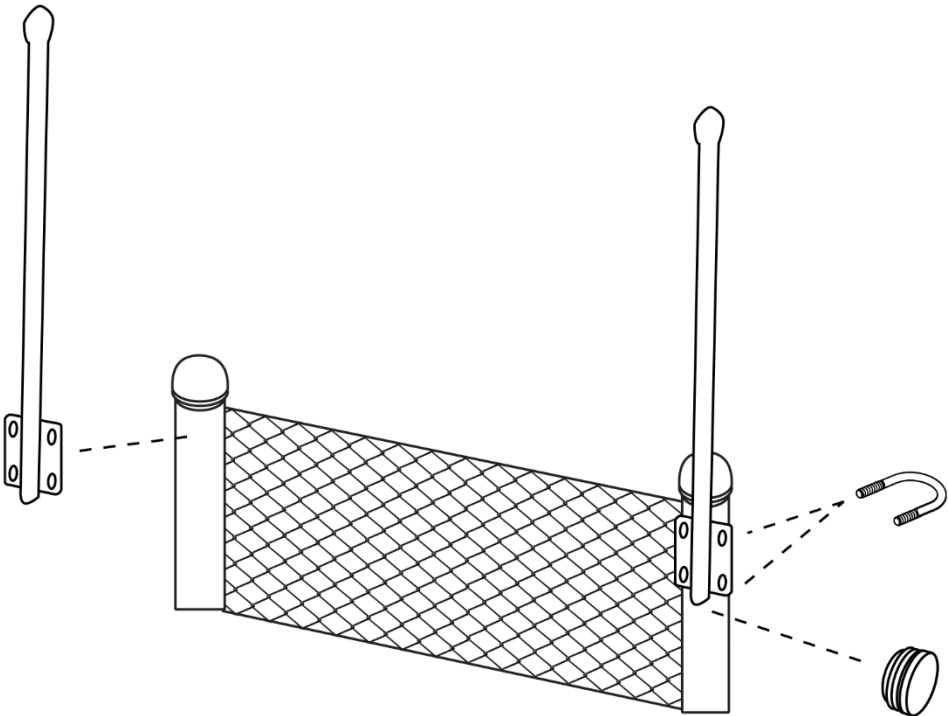
FOR DECORATIVE METAL

2.



FOR CHAINLINK

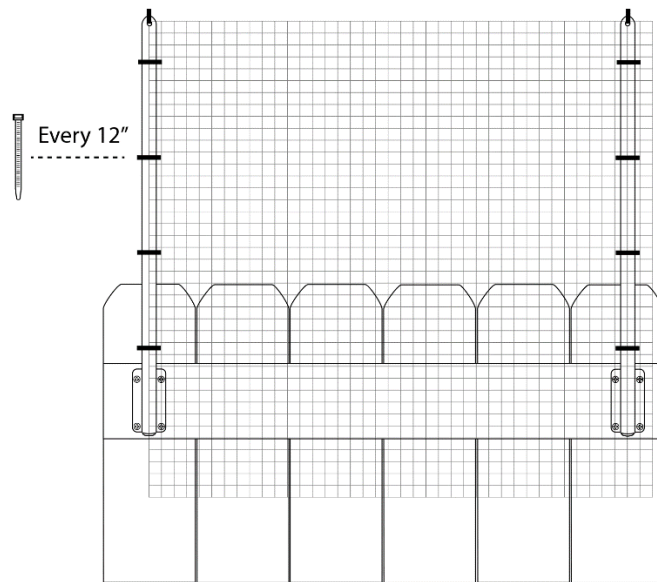
2.



3. On the **INSIDE** of your fence line, starting at the first **EXTENSION POST (D)**, attach the **FENCE MESH (A)** to each **EXTENSION POST (D)** every 12" along the post using the **SELF-LOCKING TIES (B)**. Repeat this step for all remaining **EXTENSION POSTS (D)**.

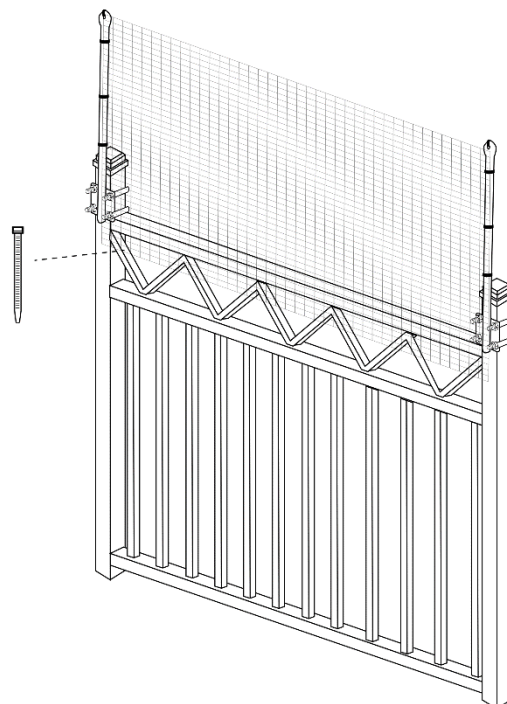
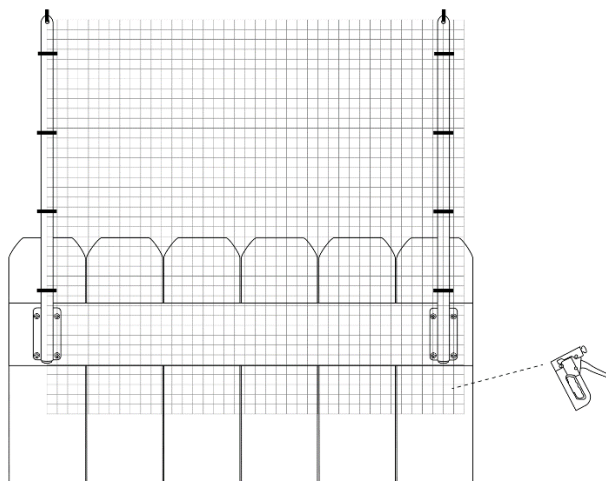
Note: Be sure to attach the fencing to the top of the extension by threading a **SELF-LOCKING TIE (B)** through the hole located at the top of the **EXTENSION POST (D)**.

3.



4. Tack down the bottom portion of the **FENCE MESH (A)** using **staples (sold separately)** for wood/split rail/vinyl fencing or **additional zip ties (sold separately)** for decorative metal and chain link.

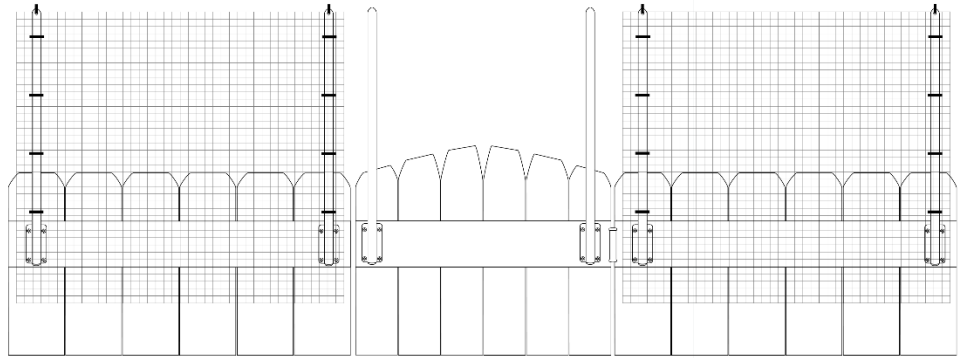
4.



Optional: Extension Kit Gate Instructions

1. When attaching your **EXTENSION POST (D)** in **STEP 1**, make sure to attach one post on either side of the door gate. Attach the extra two **EXTENSION POSTS (D)** in your gate kit to the gate door itself.

1.



2. Using a section of **FENCE MESH (A)** cut to the size of the gate door, attach the **FENCE MESH (A)** to the **EXTENSION POST (D)** on the gate door every 12" along the post using the **SELF-LOCKING TIES (B)**.

2.

