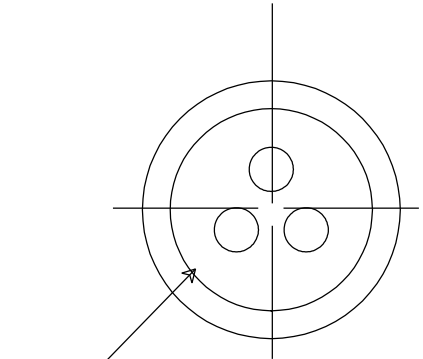
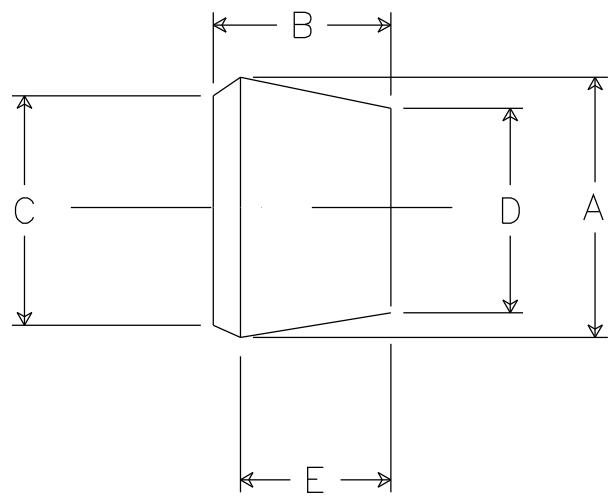


DIMENSIONS

- A 1.281 *
- B 0.875 *
- C 1.156 *
- D 1.031
- E 0.750



*
 .219 DIA. 3-HOLES EVENLY SPACED
 ON A .400 DIA. CIRCLE

HOLE SIZE +/- .010

NOTES:

- 1.0 ANGULAR TOLERANCE +/- 1/2 DEGREE
- 2.) FLASH TO BE HELD TO A MINIMUM
 AND MAY NOT WEBB ACROSS HOLE DIA.
- 3.) 1D/OD CONCENTRICITY WITHIN .20
- 4.) ALL OTHER DIM +/- .015

* INDICATES CRITICAL DIMENSION

REV. A 3/16/01 DRAWN TO CAD

REMKE INDUSTRIES
 Wheeling, Illinois 60090

SCALE: APPROX FULL
 MATERIAL: NEOPRENE 50-60 DUROMETER
 FINISH: NATURAL BLACK
 PART NAME: BUSHING
 PART NUMBER: SRB-300-3SP2
 DRAWING DATE: 3/16/01 RT