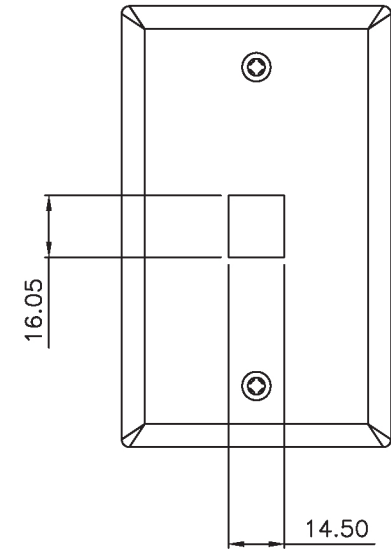
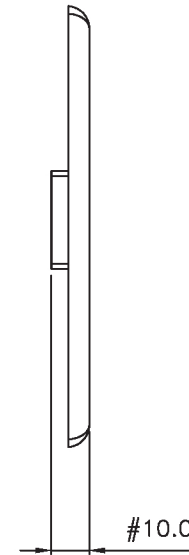
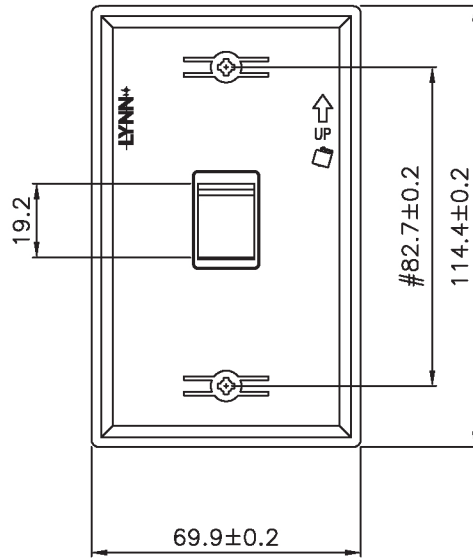


SCALE 1/2



Specification :

- Material :
1. Plate : ABS V0, Color optional.
 2. Screw : 6#32TX24iso.

GENERAL TOLERANCE OF DIMENSIONS X.XXX ±0.005 X.XX ±0.05 X.X ±0.1	DRAWING	06.JUL.2022		
	CHECK	06.JUL.2022		
	APPROVAL	06.JUL.2022		
		DATE	NAME	ITEM NO.: PRO-FP-KEY-1-x
SCALE	1/2 (A4)	UNIT	mm	DES.: Vertical 1 Port
		DRAWING NO. LYNN		
DRAWING CLASSIFICATION		S	SHEET 1 OF 1	