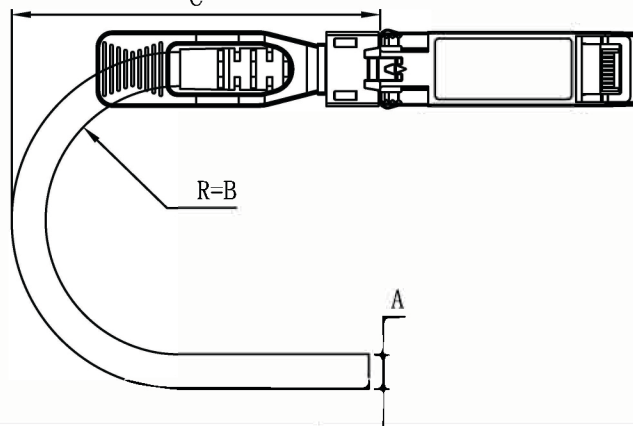


Pin assignment

X1	X2	Remark
X1.12	X2.19	Pair
X1.13	X2.18	
X1.14	X2.20	Drain wire
X1.18	X2.13	Pair
X1.19	X2.12	
X1.20	X2.14	Drain wire



Cable gauge	30AWG	28AWG	26AWG
A(Cable Diameter)	4.5mm	5.5mm	6.0mm
B(Mini Outer Radius)	22.5mm	23.5mm	30mm
C(Faceplate to Outer Radius)	30.5mm	31.5mm	38mm
L(Length)	1~3m	3.5~4m	4.5~5m

NO.	PART NAME	DESCRIPTION	REMARK
9	Sleeve	PVC, BLUE	
8	SFP28 raw Cable	25G High Speed Cables 100Ω 2Pairs	
7	Boot	LSZH, Black	
6	Main Label	/	
5	PCBA	Material:FR4, 20PIN	
4	Latch	Nylon. BLUE	
3	Screw	304# Stainless steel	
2	Shield	304# Stainless steel	
1	Shell	Zinc Diecast, nickel Plated	

UNLESS OTHERWISE SPECIFIED DIMENSIONS ARE IN METRIC TOLERANCE ARE:		CAD GENERATED DRAWING, DO NOT MANUALLY UPDATE	
DECIMALS	ANGLES		
X. ±0.20	±1/2	THE FIRST VIEW	TITLE: SFP28 PASSIVE CABLE
.X ±0.15		APPROVALS / DATE	SIZE A4 PART NO: SFP28-25G-SFP28-xxM REV. A0
.XX ±0.10		MATERIAL: DESIGNED	SCALE: CAD FILE: SHEET: 1 OF 1
.XXX ±0.05		SURFACE AND COLOR: CHECKED	
		CUSTOMER: APPROVED	

DATE	REVISION	ISSUE
2017/05/25	NEW REVISION	A0
		A1
		A2