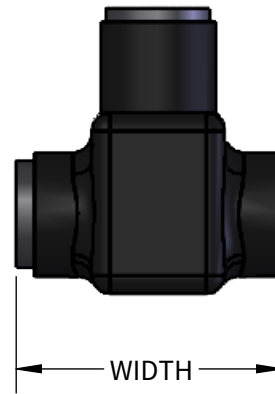
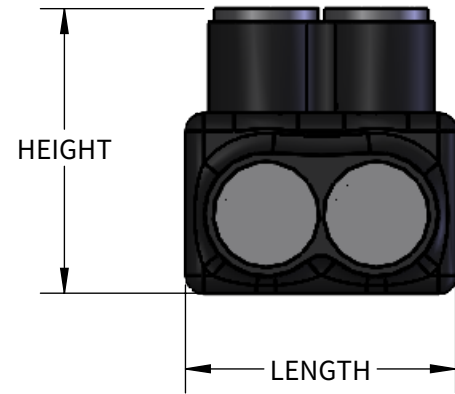
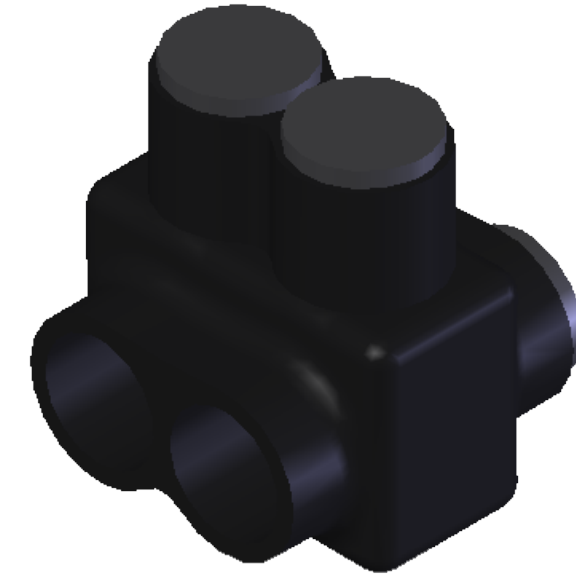
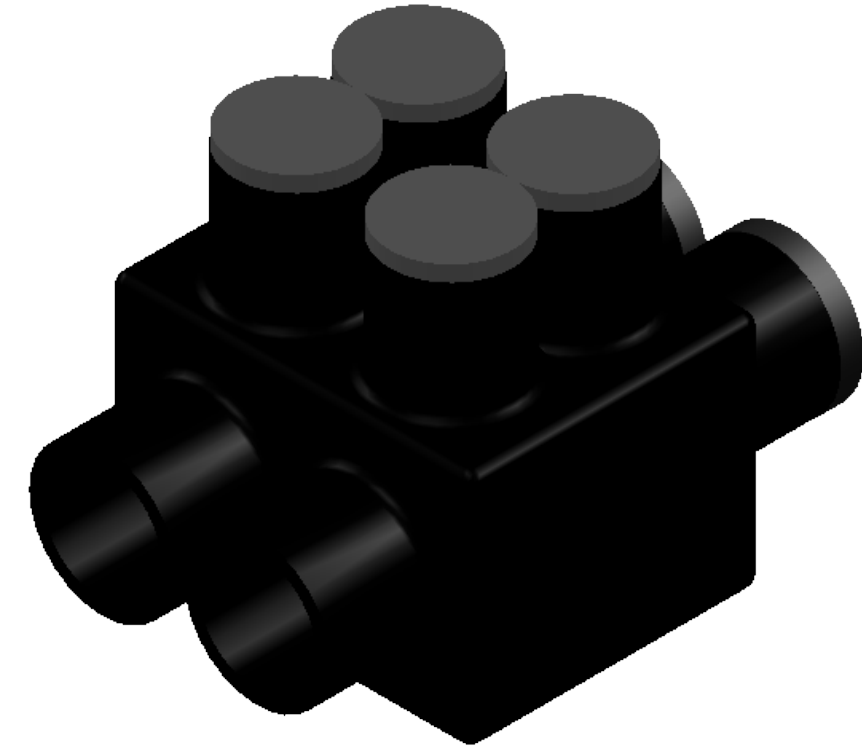


**FEATURES:**

1. CONNECTOR MANUFACTURED FROM 6061-T6 ALUMINUM ALLOY.
2. UL LISTED PER UL486A/B SPECIFICATIONS FOR 600V.
3. DUAL RATED FOR 90 °C COPPER AND/OR ALUMINUM CONDUCTOR.
4. COLD TEMPERATURE RATED TO -45 °C.
5. HIGH DIELECTRIC STRENGTH INSULATION IS ABRASION, CHEMICAL AND UV RESISTANT.

**IT SERIES****POLARIS®****PROGRAM:** SOLIDWORKS**REVISED:** 4/17/2024**SALES REV:** A**SIZE:** B (11x17)FIGURE 1  
IT- DUAL ENTRY

PART #	FIG. #	WIRE RANGE	HEX SIZE	H	L	W
IT-4	1	4 - 14 AWG	5/32	1.38	1.12	1.37
IT-2	1	2 - 14 AWG	5/32	1.38	1.20	1.37
IT-1/0	1	1/0 - 14 AWG	3/16	1.69	1.62	1.83
IT-2/0	1	2/0 - 14 AWG	3/16	1.69	1.72	1.83
IT-3/0	1	3/0 - 6 AWG	1/4	1.79	1.84	1.90
IT-250	1	250 MCM - 6 AWG	5/16	2.18	2.12	2.28
IT-350	1	350 MCM - 10 AWG	5/16	2.61	2.47	2.41
IT-500	1	500 MCM - 4 AWG	5/16	2.91	2.81	2.83
IT-600	1	600 MCM - 6 AWG	5/16	3.03	3.24	2.96
IT-750*	1	750 MCM - 1/0 AWG	3/8	3.42	3.48	3.41
ITH-750	2	750 MCM - 1/0 AWG	5/16	3.42	3.48	4.46

FIGURE 2  
ITH - DOUBLE SET SCREW

\*IT-750 - UL LISTED FOR 75 °C

**S**