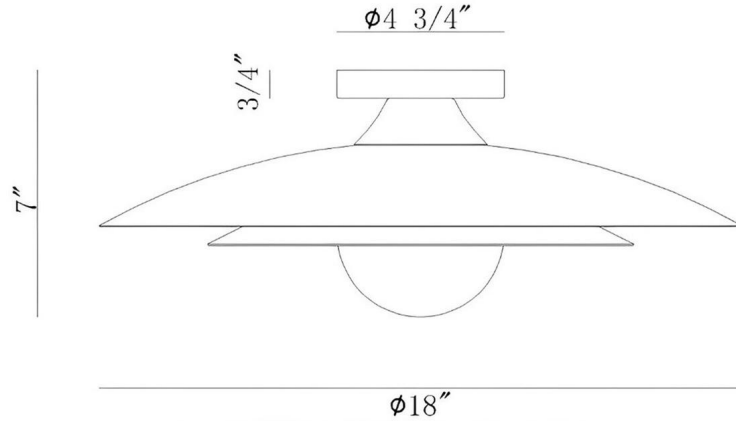


JOB NAME:

DATE:

TYPE:

COMMENTS:



**LIGHT INFORMATION**

Light Type	Integrated LED
CRI	90
Delivered Lumens	448
Color Temperature	3000K
LED Lifespan (L70)	20000
Light Direction	Down
Dimming Method	Triac/Elv
Current Type	AC
Input Voltage	120
Total Wattage	10

**DIMENSIONS & WEIGHT**

Height (In)	7
Diameter (In)	18
Weight (Lbs)	4.41

**INSTALLATION**

Mounting Type	J-Box
Rating	Dry
Hanging Support Type	J-Box

**PRODUCT FINISH**

Matte Grey

**SHADE FINISH**

Circle White Glass

**CERTIFICATIONS & COMPLIANCE**

