

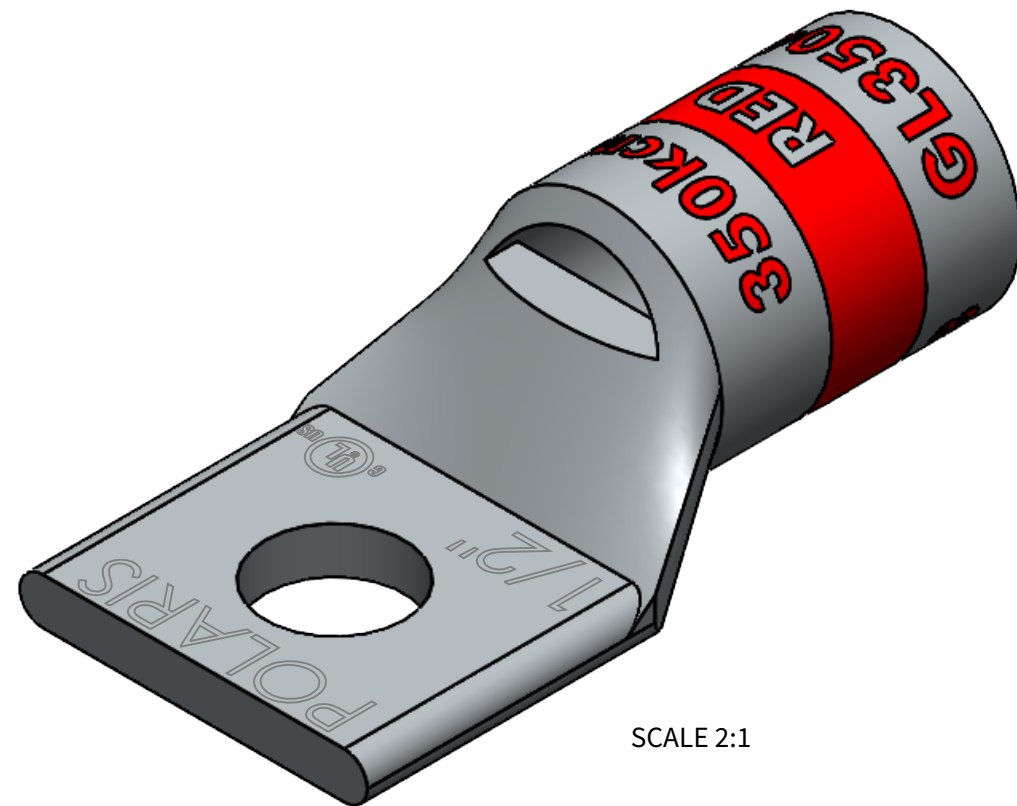
FEATURES:

1. Material: Tin Plated CU
2. UL listed for U.S. & Canada.
3. Wire connector rated for 35Kv max.
4. Class B/C compressed, concentric, and compact copper conductor only.
5. Expanded wire range when installed with dieless NSi compression tool (N12ID).
6. Dimensions are for reference only, tolerance is +/- .06".

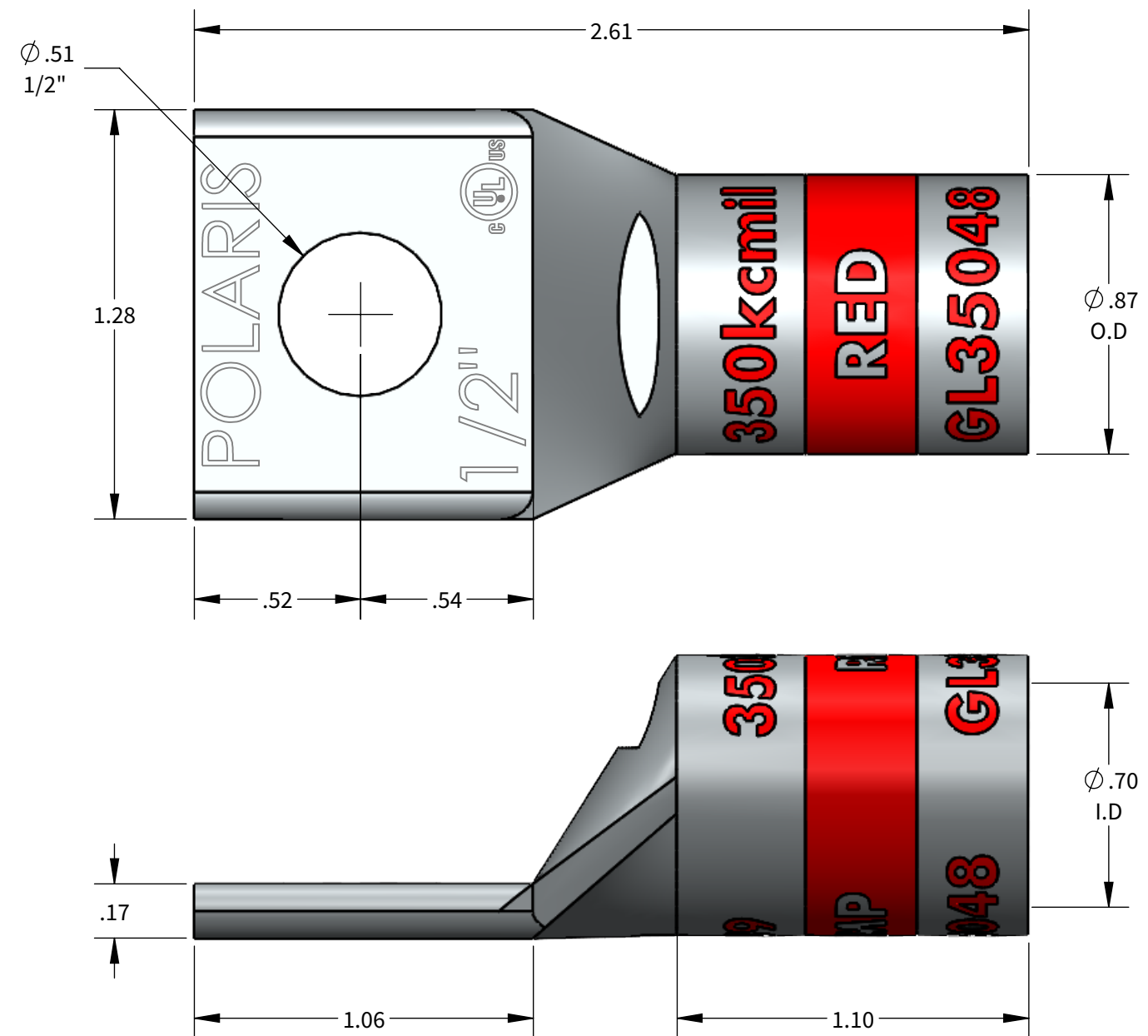
GL Series: GL35048



| | |
|-------------------|------------|
| PROGRAM: | SOLIDWORKS |
| UPDATED: | 4/2022 |
| SALES REV: | A |
| SIZE: | B (11x17) |



SCALE 2:1



COPPER COMPRESSION CONNECTOR TOOL AND DIE CHART (# OF CRIMPS)

| | | COPPER COMPRESSION CONNECTOR TOOL AND DIE CHART (# OF CRIMPS) | | | | | | | | | | | |
|-----------|--------------|---|-----------------------------|--------------|-----------|------------|--------------|------------|----------------------|---------------------|-----------------|------------|-----------|
| | | NSI | | | GREENLEE | | ILSCO | BURNDY | T&B | HUSKIE | | | |
| WIRE SIZE | STRIP LENGTH | DIE COLOR | EXPANDED WIRE RANGE W/N12ID | N1240 SERIES | NSI-12 | NSI-12 | 1240 SERIES | | ILC-12/ILC-15 SERIES | Y-35, Y750, PAT 750 | TBM-15, TBM-14M | EP510C | |
| 350kcmil | 1-1/4" | RED | 350kcmil-3/0AWG | KC12-350 (1) | CD16A (2) | HT41BJ (2) | KC12-350 (1) | ILD-13 (2) | KC12-350 (1) | U31RT (2) | 15514-CK (2) | HT41BJ (2) | CD16A (2) |

