


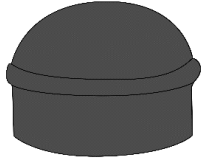



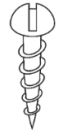


Dog Fence Sleeved End Post Installation Instructions

Note: If a tension system was purchased, please refer to tensioning kit instructions **BEFORE** these instructions.

HARDWARE PARTS – DE90500S

<p>A</p> <p>QTY: 4</p>  <p>1 5/8" Brace Cup Black SKU: DE8144</p>	<p>B</p> <p>QTY: 4</p>  <p>1 5/8" Brace Band Black SKU: DE8080</p>	<p>C</p> <p>QTY: 4</p>  <p>Carriage Bolt w/Washer & Nut Hot Dip Galvanized - 5/16" x 1 1/2" SKU: DE8042</p>	<p>D</p> <p>QTY: 4</p>  <p>1 5/8" Black Dome Post Cap SKU: DE2886-1</p>
<p>E</p> <p>QTY: 4</p>  <p>17 Gauge 1 5/8" Black Powder Coated Galvanized Pipe (See below for measurements)</p>	<p>F</p> <p>QTY: 2</p>  <p>17 Gauge 1 5/8" Black Powder Coated Galvanized Pipe (See below for measurements)</p>	<p>G</p> <p>QTY: 4</p>  <p>Black Ground Sleeve for 1 5/8" Post SKU: DE8196</p>	<p>H</p> <p>QTY: 8</p>  <p>Self-Tapping Screw 3/4" SKU: DE9978-1</p>

Recommended Tools (not included)

Power Drill with 5/16" Drill Bit

Socket Wrench 5/16" or Adjustable wrenches

Sledgehammer

Earth Auger/Digging Bar

Pipes Part List

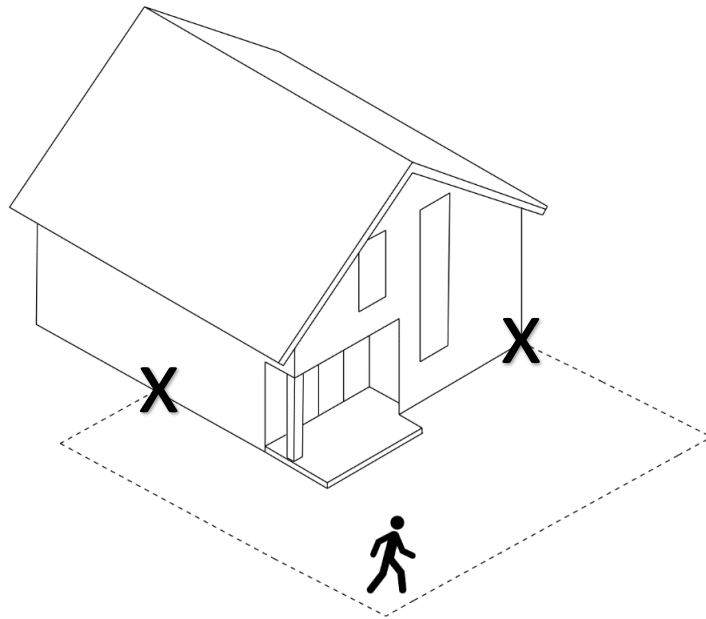
	6' End			5' End		
	Qty	Pipe Measurement	SKU	Qty	Pipe Measurement	SKU
End Posts/Line Posts (E)	4	17 Gauge Black Powder Coated Galvanized Steel Pipe 1 5/8" x 84"	DE8358-084	4	17 Gauge Black Powder Coated Galvanized Steel Pipe 1 5/8" x 72"	DE8358-072
Brace Posts (F)	2	17 Gauge Black Powder Coated Galvanized Steel Pipe 1 5/8" x 96"	DE8358-096	2	17 Gauge Black Powder Coated Galvanized Steel Pipe 1 5/8" x 96"	DE8358-096
	4' End			3' End		
	Qty	Pipe Measurement	SKU	Qty	Pipe Measurement	SKU
End Posts/Line Posts (E)	4	17 Gauge Black Powder Coated Galvanized Steel Pipe 1 5/8" x 60"	DE8358-060	4	17 Gauge Black Powder Coated Galvanized Steel Pipe 1 5/8" x 48"	DE8358-048
Brace Posts (F)	2	17 Gauge Black Powder Coated Galvanized Steel Pipe 1 5/8" x 96"	DE8358-096	2	17 Gauge Black Powder Coated Galvanized Steel Pipe 1 5/8" x 96"	DE8358-096

Dog Fence Sleeved End Post Installation Instructions

1. Lay out your fence design, taking care to note where your ends are going to be placed within the system.

Note: Ends should be placed anywhere the fence is terminating. Either against an existing structure like a house/shed or another fence line.

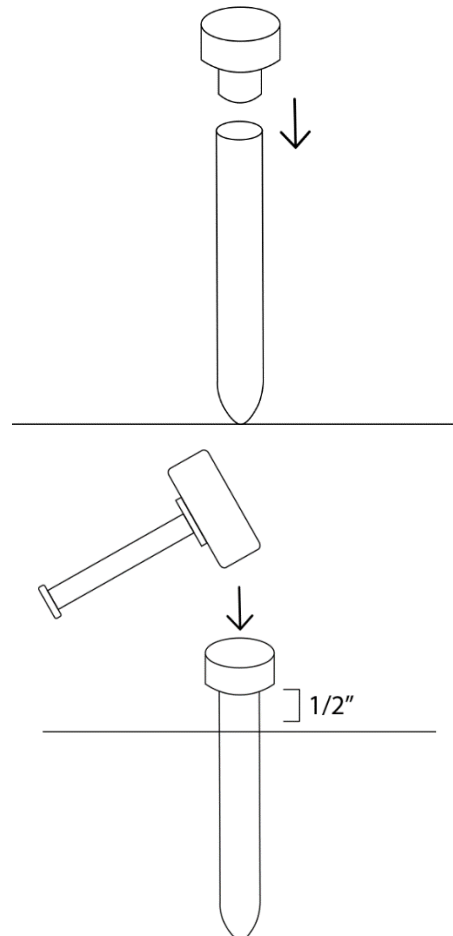
1.



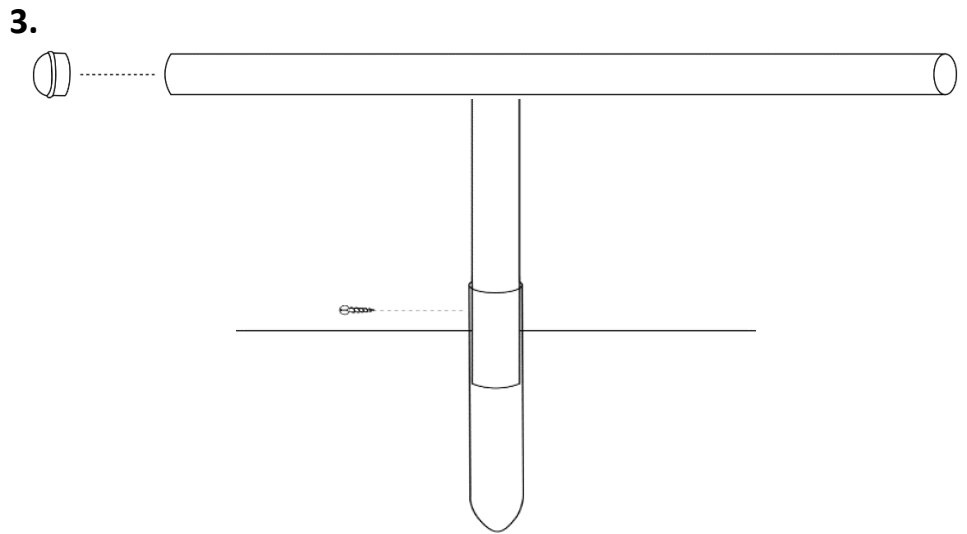
2. Using a **DRIVE CAP (Sold Separately; SKU: DE2812)** and a sledgehammer, drive one (1) **GROUND SLEEVE (G)** into the ground leaving $\frac{1}{2}$ " above ground to keep out debris and allow for securing the post. Care should be taken to ensure that the sleeves are as straight as possible.

Note: On hard ground it may be necessary to use an **EARTH AUGER (Sold Separately; SKU: DE8189)** or **DIGGING BAR** to make a hole before driving the ground sleeves in.

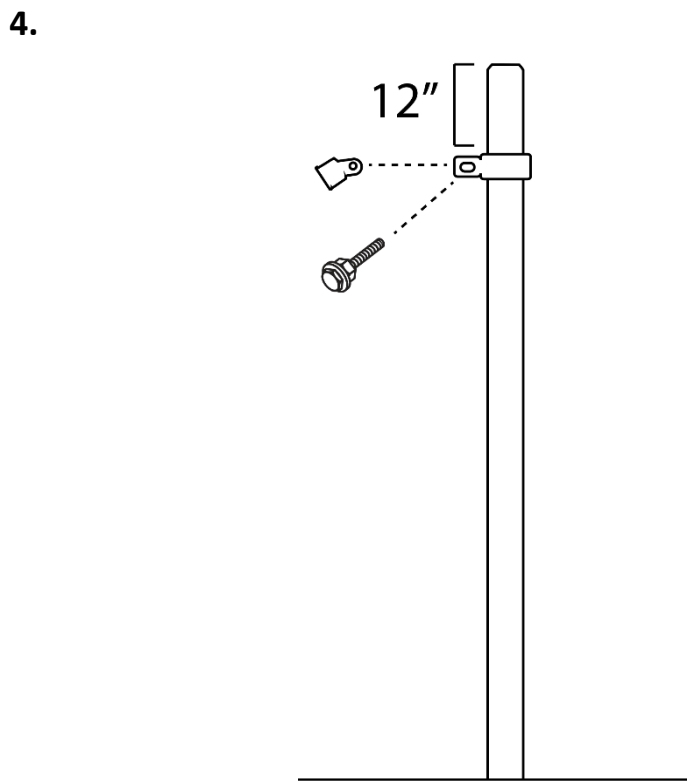
2.



3. Insert the **DOMES CAPS (D)** on the top of each **END POST (E)** before sliding into the **GROUND SLEEVE (G)**. Lock posts into place by screwing through the sleeve and into the post using a **SELF-TAPPING SCREW (H)**.



4. Slip **BRACE BAND (B)** and **BRACE CUP (A)** over the **END POST (E)** and position them approximately 12" from the top of the **END POST (E)**. When attaching the **BRACE CUP (A)** to the **BRACE BAND (B)**, position the cup so that the **BRACE POST (F)** will be on the **INSIDE** of the fence line. Use **CARRIAGE BOLT (C)** to hold the **BRACE BAND (B)** and **BRACE CUP (A)** in position. Do not fully tighten.

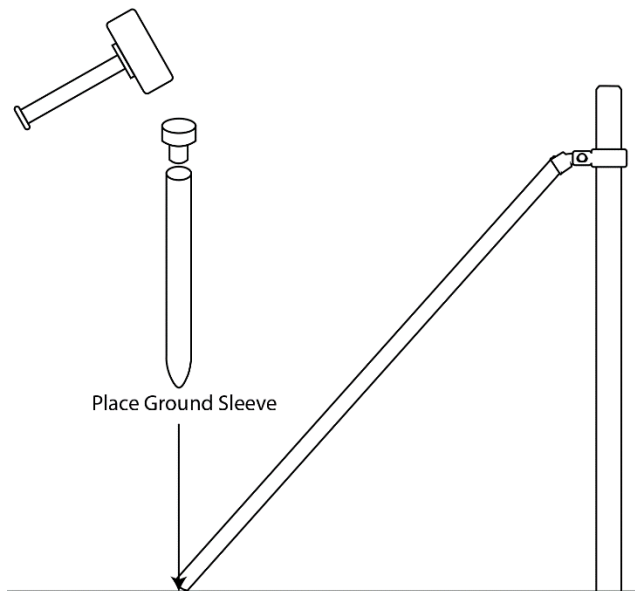
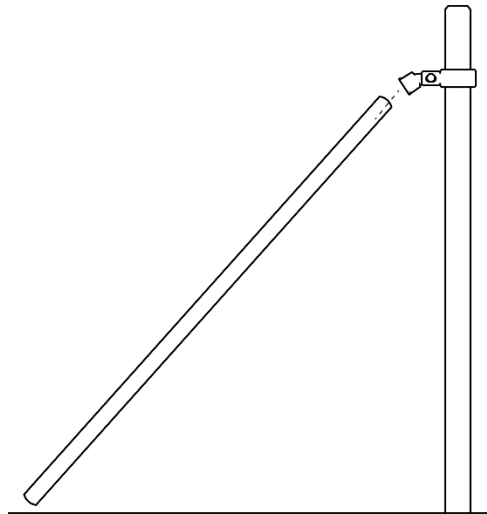


5. After the band is installed, place your **BRACE POST (F)** into the **BRACE CUP (A)** in line with the fence line. Use the table below to measure out from the post where to place your ground sleeve.

Fence Height	Distance from Post
3'	95"
4'	91"
5'	85.5"
6'	77.5"

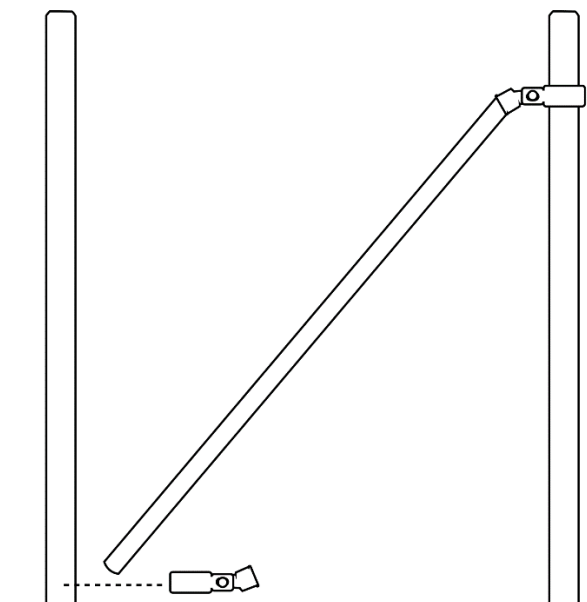
Note: The measurement to determine where the ground sleeve needs to go is an estimate. Measurement may change based off uneven terrain and final layout. Dry fit all parts together from **STEPS 4-7** before finalizing ground sleeve placement.

5.



6. Once the **GROUND SLEEVE (G)** is in place, see **STEP 3** for inserting the **LINE POST (E)** into the **GROUND SLEEVE (G)**. Attach a **BRACE BAND (B)** and **BRACE CUP (A)**, see **STEP 4**, to the **BOTTOM** of the **LINE POST (E)**.

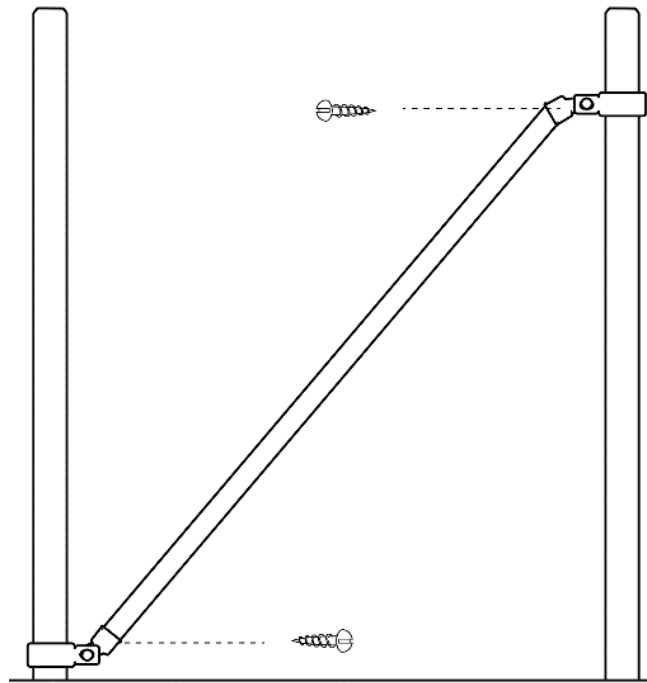
6.



7. Insert the **BRACE POST (F)** into the bottom **BRACE CUP (A)** of the **LINE POST (E)**. Secure the **BRACE POST (F)** by drilling a **SELF-TAPPING SCREW (H)** through both **BRACE CUPS (A)** and **BRACE POST (E)**. Once secured, tighten the **CARRIAGE BOLT (C)** on both **BRACE BANDS (B)**.

Note: Based on the height of your system, you will have to adjust the bottom **BRACE BAND AND CUP** to account for the angle of the **BRACE POST (F)**.

7.



Birds Eye View

Existing Structure

