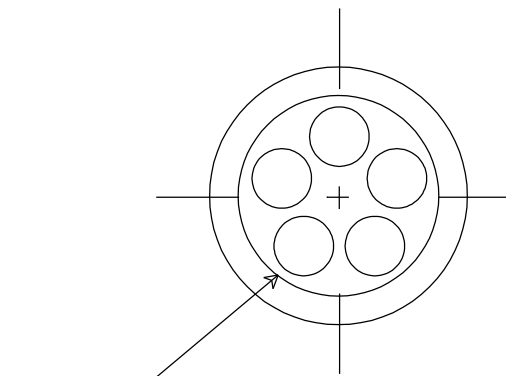
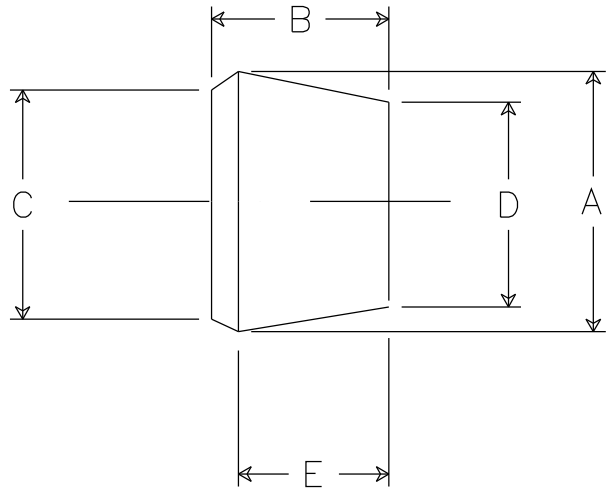


DIMENSIONS

A	1.281	*
B	0.875	*
C	1.156	
D	1.031	
E	0.750	



FIVE .296 HOLES EVENLY SPACED
ON A .600 DIA CIRCLE

*

NOTES:

- 1.0 ANGULAR TOLERANCE +/- 1/2 DEGREE
 - 2.) FLASH TO BE HELD TO A MINIMUM AND MAY NOT WEBB ACROSS HOLE DIA.
 - 3.) 1D/OD CONCENTRICITY WITHIN .20
 - 4.) ALL OTHER DIM +/- .015
- REV. A 5-30-00 ADD NOTE ON TOLERANCE

* INDICATES CRITICAL INSPECTION DIM.

REMKE INDUSTRIES

Wheeling, Illinois 60090

SCALE:	APPROX FULL
MATERIAL:	NEOPRENE 50-60 DUROMETER
FINISH:	NATURAL BLACK
PART NAME:	BUSHING
PART NUMBER:	SRB-301964-5
DRAWING DATE:	970424