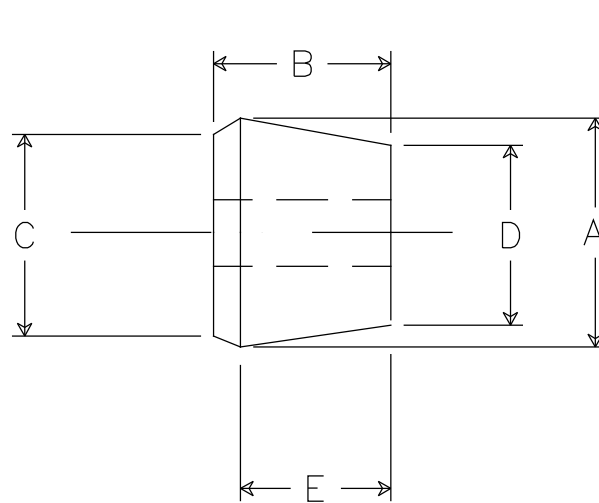
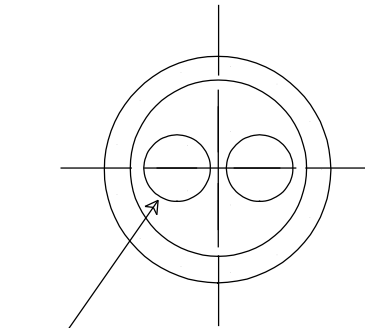


DIMENSIONS

A	1.125 *
B	0.875 *
C	1.031
D	0.875
E	0.750



HOLE SIZE



NOTE: TWO HOLES  $21/64^*$   $\pm .010$   
LOCATED ON A .410 DIA CIRCLE

NOTES:

1. ANGULAR TOLERANCE  $\pm 1/2$  DEGREE
2. FLASH TO BE HELD TO A MINIMUM AND MAY NOT WEBB ACROSS HOLE DIA.
3. ID/OD CONCENTRICITY WITHIN .020
4. ALL OTHER DIM  $\pm .015$

REV. A 2/7/01 RELEASED DRAWING

**REMKE INDUSTRIES**  
Wheeling, Illinois 60090

SCALE: APPROX FULL  
 MATERIAL: NEOPRENE 50-60 DUROMETER  
 FINISH: NATURAL BLACK  
 PART NAME: BUSHING  
 PART NUMBER: SRB-202164-2  
 DRAWING DATE: 2/7/01