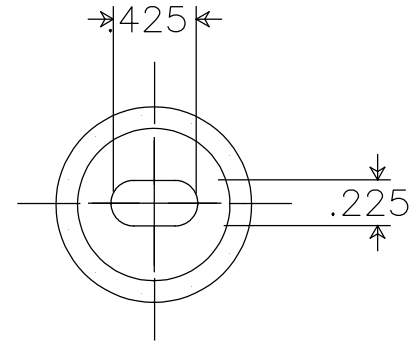
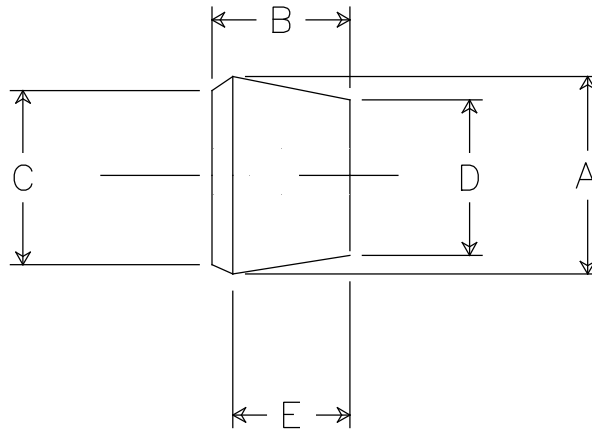


DIMENSIONS

A	.8750
B	.6563
C	.6250
D	.6875
E	.5313



HOLE SIZE  $\pm .010$

NOTES:

- 1.0 ANGULAR TOLERANCE  $\pm 1/2$  DEGREE
- 2.) FLASH TO BE HELD TO A MINIMUM AND MAY NOT WEBB ACROSS HOLE DIA.
- 3.) 1D/OD CONCENTRICITY WITHIN .20
- 4.) ALL OTHER DIM  $\pm .015$

NEW DRAWING — WAS PART OF DWG. 771214

REV. A 5-30-00 ADD NOTE ON TOLERANCE

**REMKE INDUSTRIES**  
 Wheeling, Illinois 60090

SCALE: APPROX FULL  
 MATERIAL: NEOPRENE 50-60 DUROMETER  
 FINISH: NATURAL BLACK  
 PART NAME: BUSHING  
 PART NUMBER: SRB-100-UF1  
 DRAWING DATE: 930204