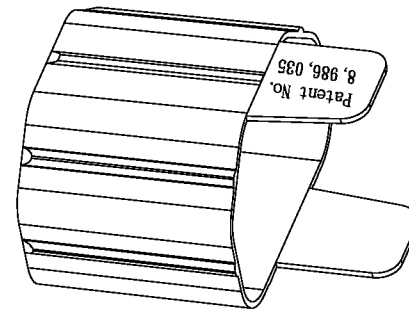
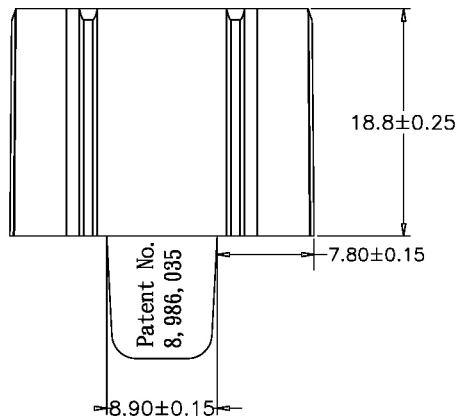
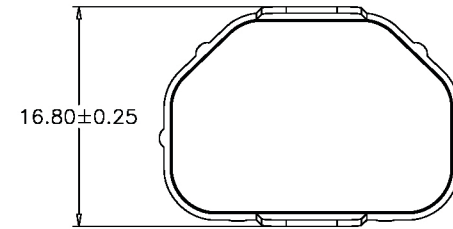



VIEW:A-A



NO.	SPECIFICATION	QTY	REMARK
1	YC-12 SLEEVE BLACK	1PC	

Tolerance >0±0.30 >1.0±0.50 >10.0±1.0 >20.0±2.0 Angle: ±1°	Approved		Date					
	Checked		Date					
	Drawn		Date	21.11.03	Customer			
	Cat. No.	YC-12(C13) SLEEVE			P/N.	SureFIT-C13		
	Drawing No.		Rev.	B	Material	P.V.C	Unit	mm
				HEFT(g)				