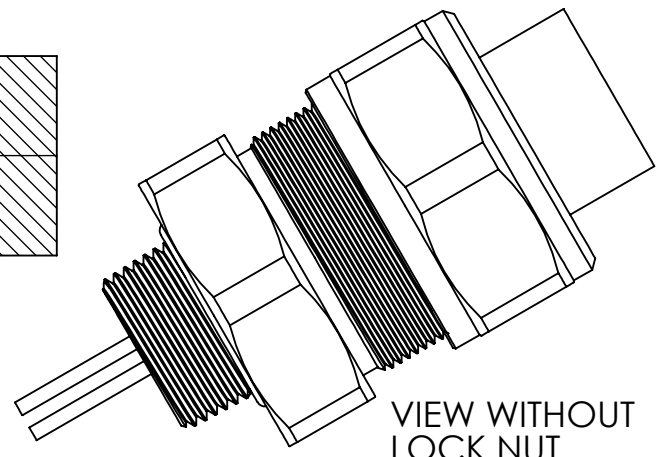
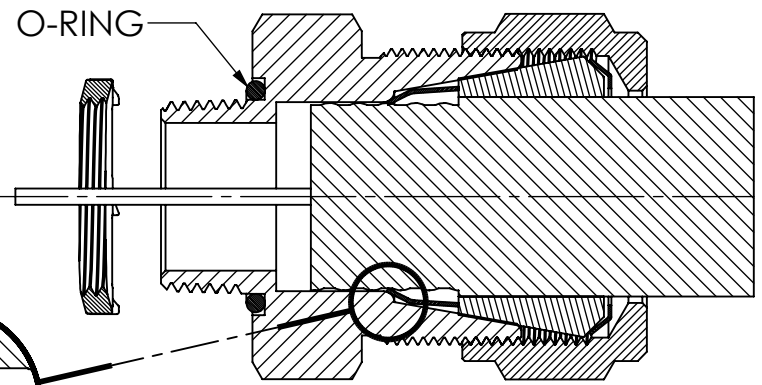


LOCK NUT  
OPTIONAL  
ADD: L



REV.	DATE	CHANGE	UNLESS OTHERWISE SPECIFIED:	NAME	DATE	<b>REMKE</b> <b>REMKE INDUSTRIES</b> 310 CHADDICK DR, WHEELING, IL. 60090	
A	7/30/14	DRAWING RELEASED	DIMENSIONS ARE IN INCHES TOLERANCES: FRACTIONAL $\pm 1/64$ ANGULAR: MACH $\pm 1^\circ$ BEND $\pm 1^\circ$ ONE PLACE DECIMAL $\pm .015$ TWO PLACE DECIMAL $\pm .010$ THREE PLACE DECIMAL $\pm .005$	DRAWN JCN 7/14 CHECKED ENG APPR. MFG APPR. Q.A.		TITLE:	
			INTERPRET GEOMETRIC TOLERANCING PER:	<b>PROPRIETARY AND CONFIDENTIAL</b> THE INFORMATION CONTAINED IN THIS DRAWING IS THE SOLE PROPERTY OF REMKE INDUSTRIES. ANY REPRODUCTION IN PART OR AS A WHOLE WITHOUT THE WRITTEN PERMISSION OF REMKE INDUSTRIES IS PROHIBITED.		SIZE	DWG. NO.
			MATERIAL			<b>A</b>	<b>RTKSS-100-7</b>
			FINISH			SCALE: 1:1.3	SHEET 1 OF 1
			DO NOT SCALE DRAWING				