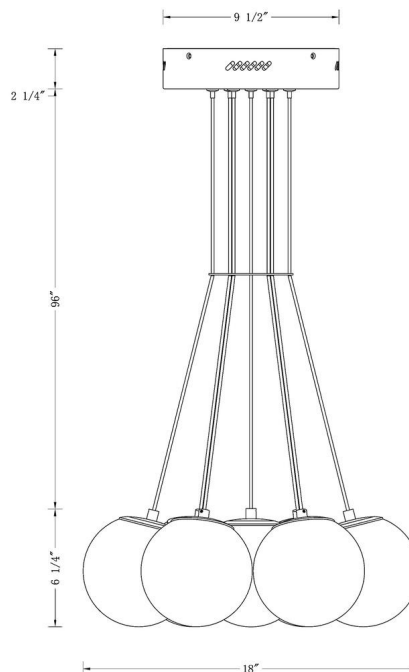


JOB NAME:

DATE:

TYPE:

COMMENTS:



## LIGHT INFORMATION

Light Type	Integrated LED
CRI	90
Delivered Lumens	3506
Color Temperature	3000K
LED Lifespan (L70)	20000
Number of Lights	7
Light Direction	Ambient
Dimming Method	Triac/Elv
Current Type	DC
Input Voltage	120
Total Wattage	49

## DIMENSIONS & WEIGHT

Height (In)	6.25
Min Height (In)	18.5
Max Height (In)	104.5
Diameter (In)	18
Weight (Lbs)	35.2

## INSTALLATION

Mounting Type	J-Box
Rating	Dry
Hanging Support Type	Aircraft Cable

## PRODUCT FINISH

Gold

## SHADE FINISH

Globe Alabaster

## PRODUCT FEATURES

This product is crafted from natural stone; inherent variations in color, pattern, and texture are to be expected.

## CERTIFICATIONS & COMPLIANCE

