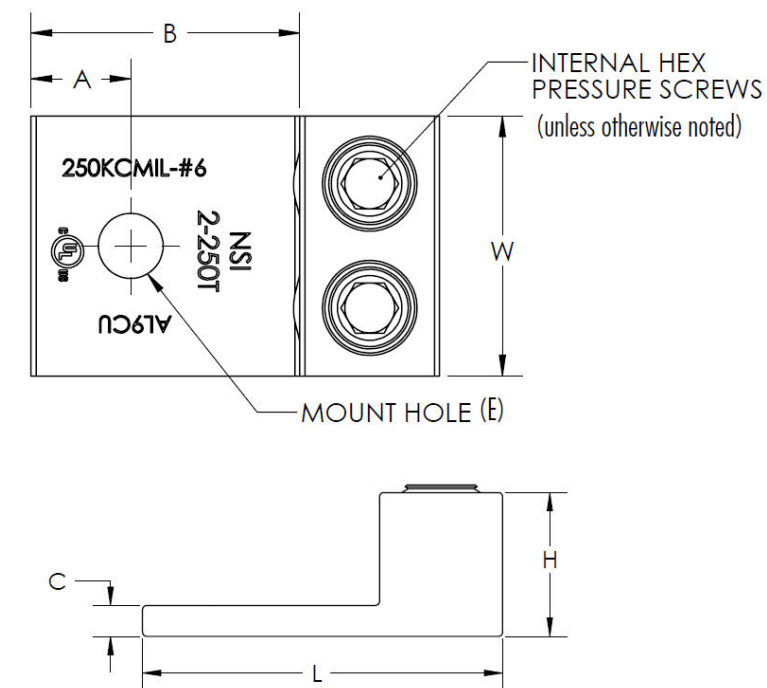


FEATURES:

1. Multiple connectors are made from either copper or aluminum bar and can be used in a variety of neutral and grounding applications. Aluminum connectors are tin plated for low contact resistance and are suitable for use with copper or aluminum conductors. Aluminum connectors are dual rated for use with aluminum and copper cables.
2. Copper connectors are suitable for use with copper wire only.
3. Supplied with screws unassembled.

PROGRAM:	SOLIDWORKS
UPDATED:	03/2024
SALES REV:	A
SIZE:	B (11x17)

MECHANICAL CONNECTORS: ALUMINUM, DUAL RATED, SINGLE & DOUBLE LUGS



CAT. NO.	FIG. NO.	WIRE RANGE	MTG. BOLT SIZE	MAX TORQUE VALUE (IN./LBS.)	HEX WRENCH SIZE (IN.)	MTG. HOLE DIA.(E) (IN.)	LENGTH (L) (IN.)	WIDTH (W) (IN.)	HEIGHT (H) (IN.)	TANG LENGTH (A) (IN.)	TANG LENGTH (B) (IN.)	TANG THICKNESS (C) (IN.)	STD. CTN. QTY.
2T	1	2-14 AWG	1/4	50	Slotted	0.265	1.160	0.500	0.550	0.310	0.690	0.100	100
0T	2	1/0-14 AWG	1/4	120	3/16	0.265	1.470	0.630	0.790	0.440	0.850	0.190	50
2-0T	3	1/0-14 AWG	1/4	120	3/16	0.265	1.470	1.130	0.790	0.440	0.850	0.190	50
2/0T	2	2/0-14 AWG	1/4	120	3/16	0.265	1.470	0.630	0.790	0.440	0.850	0.190	50
2-2/0T	3	(2) 2/0-14 AWG	1/4	120	3/16	0.265	1.470	1.250	0.790	0.440	0.850	0.190	50

- SPECIFICATIONS:**
- cULus Listed Wire Connector.
 - UL486A/B Listed. AL9CU
 - Temperature Rating: 90 °C.
 - Voltage: 600V max. (2000V ma. per UL486B).